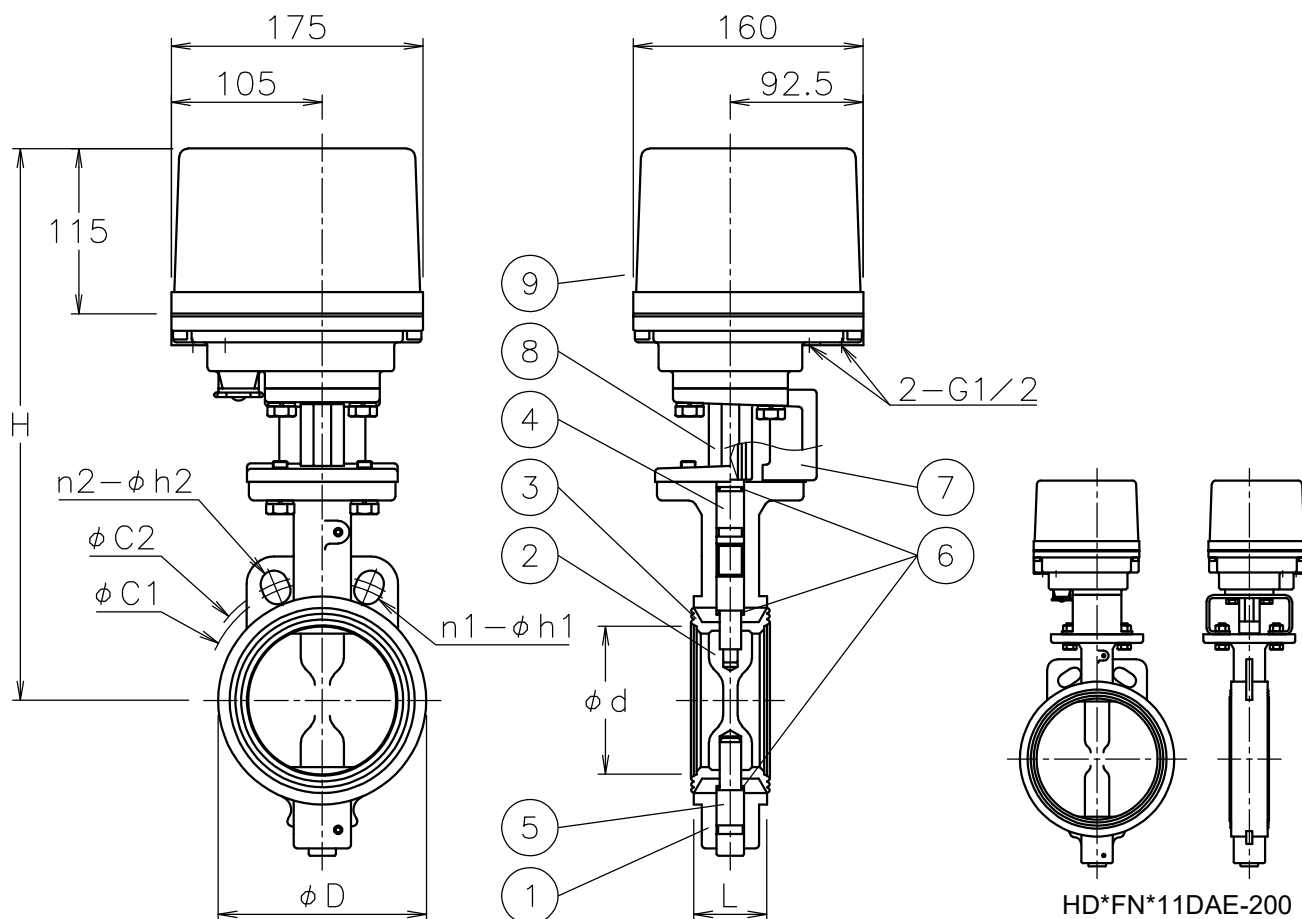


Valve DN	d	L	D	J5K		J10K		H	Weight (kg)	Cv	Actuator			Sizing code
				C1	n1-h1	C2	n2-h2				HD1-300	HD2-300	HD0-300	
50 A	52	41	95	105	4-15	120	4-19	332	8.5	159	HD1-300	HD2-300	HD0-300	0
65 A	64	44	108	130	4-15	140	4-19	349	9	266	HD1-300	HD2-300	HD0-300	0
80 A	78	44	125	145	4-19	150	8-19	356	9.2	457	HD1-300	HD2-300	HD0-300	1
								356	9.4		HD1-700	HD2-700	HD0-700	0
100 A	103	51	145	165	8-19	175	8-19	384	11	860	HD1-700	HD2-700	HD0-700	0
125 A	129	54	186	200	8-19	210	8-23	384	13	1320	HD1-700	HD2-700	HD0-700	1
								406	15		HD1-02K	HD2-02K	HD0-02K	0
150 A	154	54	210	230	8-19	240	8-23	419	16	2020	HD1-02K	HD2-02K	HD0-02K	0
200 A	200	60	256	280	8-23	290	12-23	460	23	3540	HD1-02K	HD2-02K	HD0-02K	1

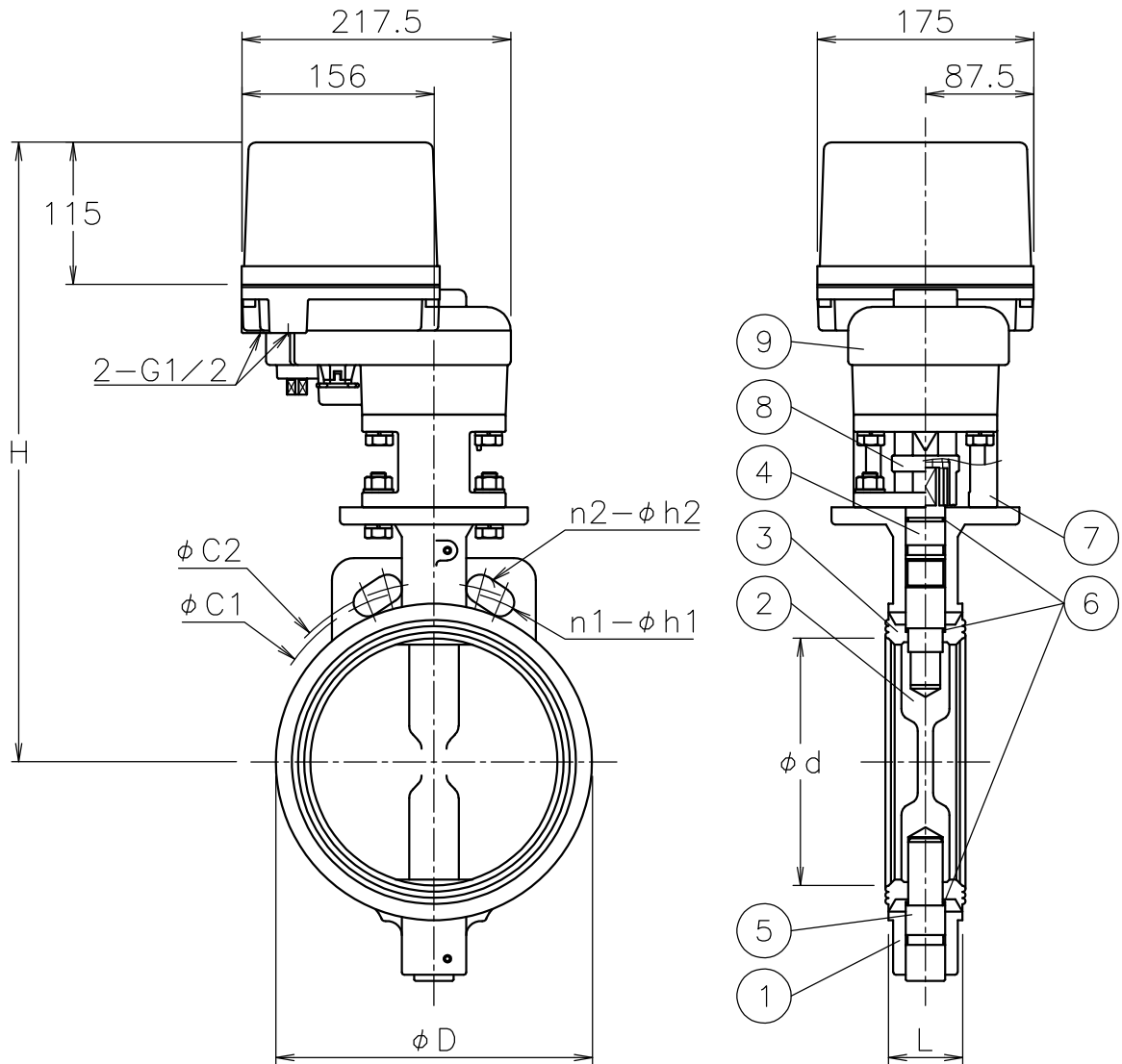


NOTE
 Attachment
 ·Cable gland(nylon), G 1/2,for $\phi 6\sim 12$ cable
 ·Plug

9	Actuator	Aluminum alloy die-cast cover	1	
8	Joint	SCS13A	1	
7	Bracket	ADC12/SUS304	1	
6	O-ring	NBR	3	
5	Pin	SUS403	1	
4	Stem	SUS403	1	
3	Seat	EPDM	1	
2	Disc	CAC703	1	
1	Body	FCD450	1	
No	DESCRIPTION	MATERIALS	REQ'D	REMARKS

			APPR'D	H.F	TITLE	J5K/10K Flanged-end (Wafer type) ValveDN: 50~200 A				
			CHK'D	K.Y		FN type electric actuated butterfly valve				
			DESIGN		MODEL	HD1FN**1DAE HD2FN**1DAE HD0FN0*1DAE				
			DRAWN	P.O						
MARK	DATE	BY	DATE	'16-10-17	SCALE	NON	DWG No.	FN-*1DAE-HDA3-EN		
REVISIONS										
MV-2552										

Valve DN	d	L	D	J5K		J10K		H	Weight (kg)	Cv	Actuator			Sizing code
				C1	n1-h1	C2	n2-h2				HD1-06K	HD2-06K	HD0-06K	
200 A	200	60	256	280	8-23	290	12-23	501	29	3540	HD1-06K	HD2-06K	HD0-06K	0



NOTE
Attachment
·Cable gland(nylon), G 1/2, for $\phi 6\sim 12$ cable
·Plug

9	Actuator	Aluminum alloy die-cast cover	1	
8	Joint	SCS13A	1	
7	Bracket	SCS13A	1	
6	O-ring	NBR	3	
5	Pin	SUS403	1	
4	Stem	SUS403	1	
3	Seat	EPDM	1	
2	Disc	CAC703	1	
1	Body	FCD450	1	
No	DESCRIPTION	MATERIALS	REQ'D	REMARKS

			APPR'D	H.F	TITLE	J5K/10K Flanged-end (Wafer type) ValveDN: 200 A FN type electric actuated butterfly valve			
			CHK'D	K.Y					
			DESIGN		MODEL	HD1FN*01DAE HD2FN*01DAE HD0FN001DAE			
			DRAWN	P.O					
MARK	DATE	BY	DATE	'16-10-17	SCALE	NON	DWG No.	FN-01DAE-HDB3-EN	
REVISIONS									
MV-2552									



NIPPON VALVE CONTROLS, INC.