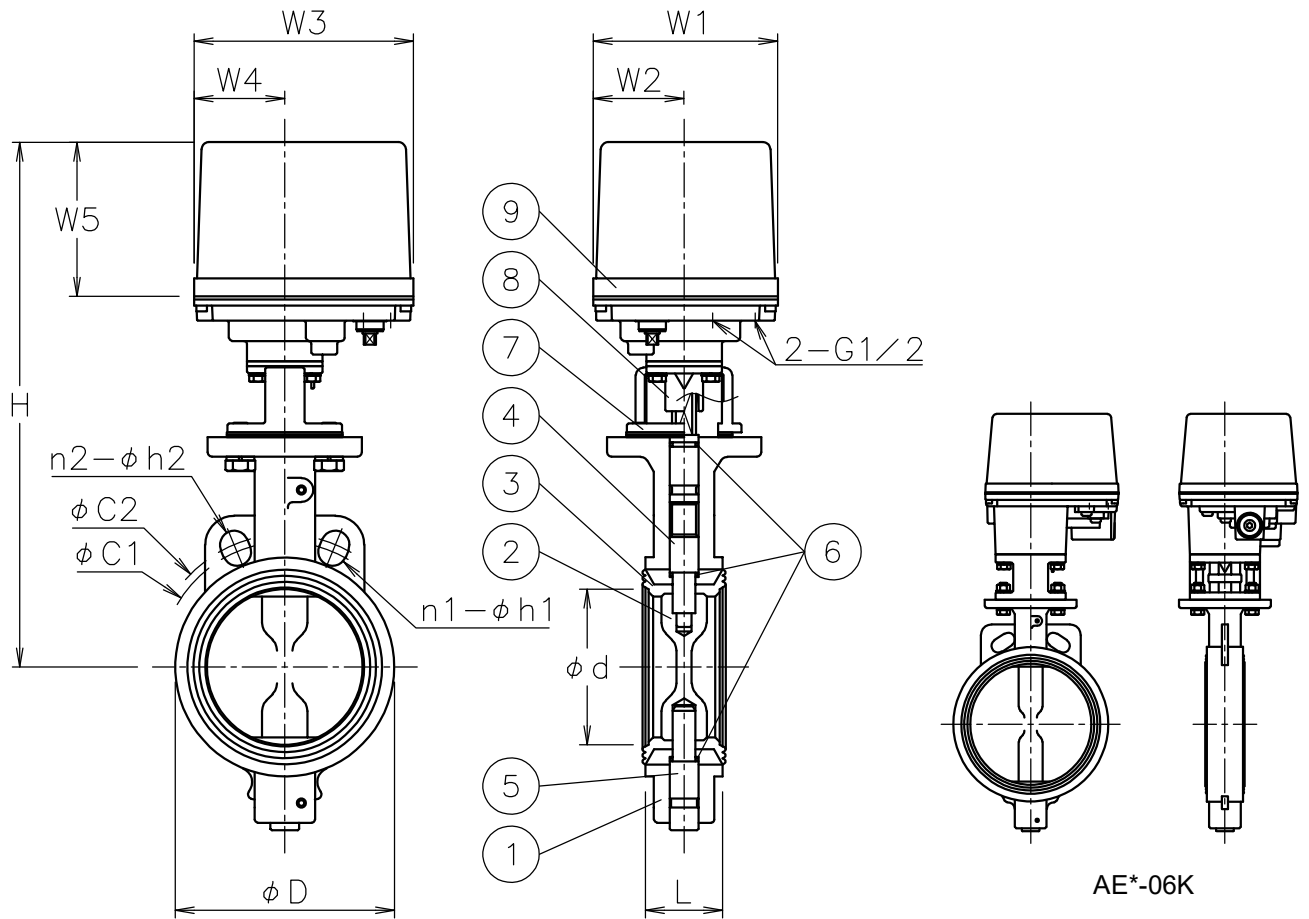


| Valve DN | d   | L  | D   | J5K |       | J10K |       | W1  | W2 | W3  | W4 | W5  | H   | Weight (kg) | Cv   | Actuator | Sizing code |
|----------|-----|----|-----|-----|-------|------|-------|-----|----|-----|----|-----|-----|-------------|------|----------|-------------|
|          |     |    |     | C1  | n1-h1 | C2   | n2-h2 |     |    |     |    |     |     |             |      |          |             |
| 50 A     | 52  | 41 | 95  | 105 | 4-15  | 120  | 4-19  | 122 | 60 | 145 | 60 | 102 | 273 | 5.2         | 159  | AEX-360  | 0           |
| 65 A     | 64  | 44 | 108 | 130 | 4-15  | 140  | 4-19  | 122 | 60 | 145 | 60 | 102 | 290 | 5.7         | 266  | AEX-360  | 0           |
| 80 A     | 78  | 44 | 125 | 145 | 4-19  | 150  | 8-19  | 122 | 60 | 145 | 60 | 102 | 313 | 6.2         | 457  | AEX-700  | 0           |
| 100 A    | 103 | 51 | 145 | 165 | 8-19  | 175  | 8-19  | 122 | 60 | 145 | 60 | 102 | 347 | 7.2         | 860  | AEX-700  | 0           |
| 125 A    | 129 | 54 | 186 | 200 | 8-19  | 210  | 8-23  | 160 | 97 | 175 | 63 | 115 | 399 | 15          | 1320 | AEX-02K  | 0           |
| 150 A    | 154 | 54 | 210 | 230 | 8-19  | 240  | 8-23  | 160 | 97 | 175 | 63 | 115 | 412 | 16          | 2020 | AEX-02K  | 0           |
| 200 A    | 200 | 60 | 256 | 280 | 8-23  | 290  | 12-23 | 160 | 97 | 175 | 63 | 115 | 453 | 23          | 3540 | AEX-02K  | 1           |
|          |     |    |     |     |       |      |       | 195 | 75 | 220 | 75 | 130 | 513 |             |      | 29       | AEX-06K     |



NOTE  
Attachment  
·Cable gland( nylon), G 1/2, for φ6~12 cable  
·Plug

| 9  | Actuator    | Aluminum alloy die-cast cover | 1     |         |
|----|-------------|-------------------------------|-------|---------|
| 8  | Joint       | SUS304/SCS13A                 | 1     |         |
| 7  | Bracket     | SCS13A                        | 1     |         |
| 6  | O-ring      | NBR                           | 3     |         |
| 5  | Pin         | SUS403                        | 1     |         |
| 4  | Stem        | SUS403                        | 1     |         |
| 3  | Seat        | EPDM                          | 1     |         |
| 2  | Disc        | CAC703                        | 1     |         |
| 1  | Body        | FCD450                        | 1     |         |
| No | DESCRIPTION | MATERIALS                     | REQ'D | REMARKS |

|           |      |    |        |           |  |             |         |                 |
|-----------|------|----|--------|-----------|--|-------------|---------|-----------------|
|           |      |    | APPR'D | H.F       | ValveDN: 50~200 A<br>TITLE J5K/10K Flanged-end (Wafer type)<br>FN type electric actuated control valve |             |         |                 |
|           |      |    | CHK'D  | K.Y       |  |             |         |                 |
|           |      |    | DESIGN |           |  |             |         |                 |
|           |      |    | DRAWN  | P.O       | MODEL  | AEXFN**1DAE |         |                 |
| MARK      | DATE | BY | DATE   | '16-04-01 | SCALE  | NON         | DWG No. | FN-*1DAE-EX3-EN |
| REVISIONS |      |    |        |           |  |             |         |                 |
| MV-2506   |      |    |        |           |  |             |         |                 |



NIPPON VALVE CONTROLS, INC.