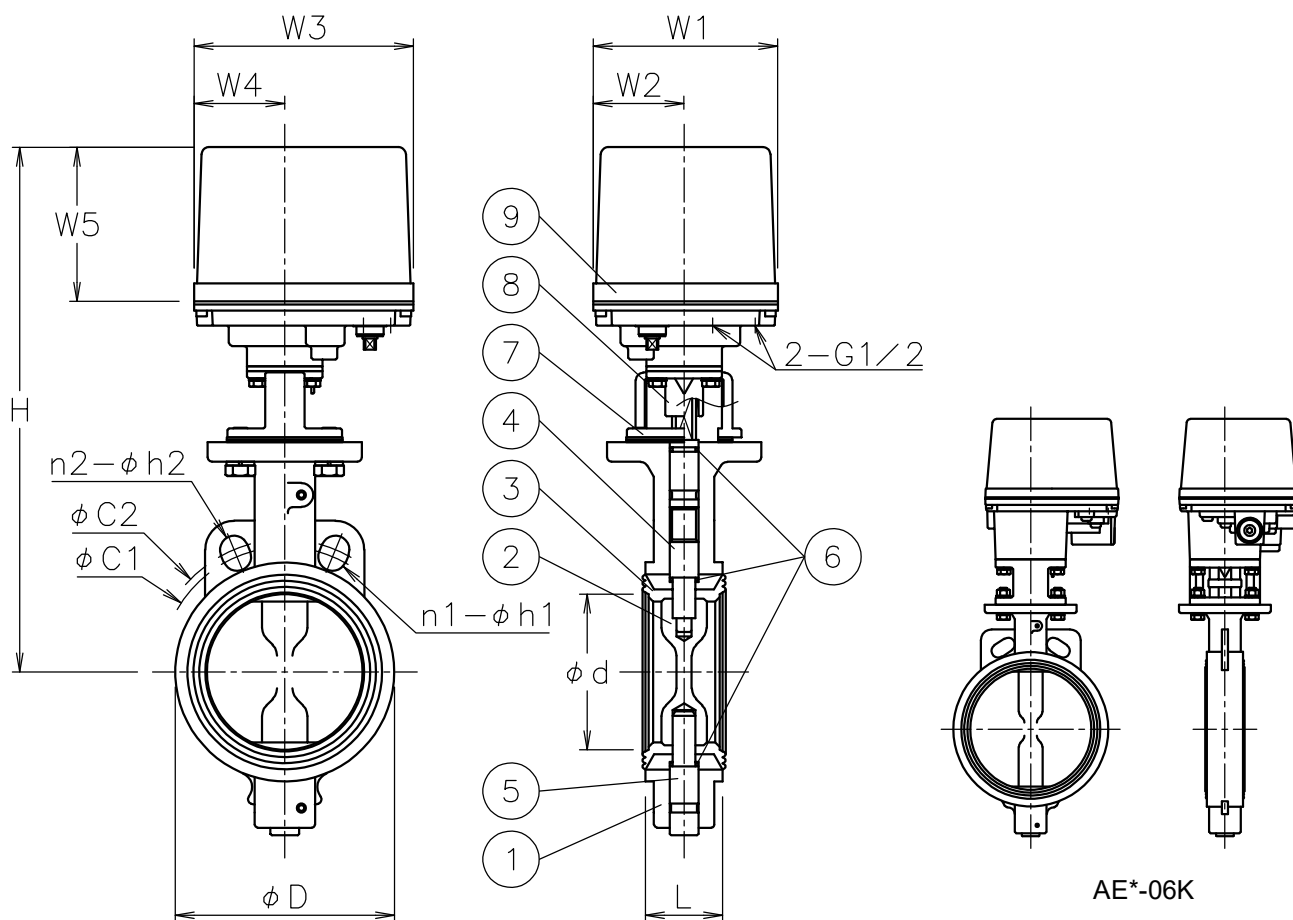


Valve DN	d	L	D	J5K		J10K		W1	W2	W3	W4	W5	H	Weight (kg)	Cv	Actuator		Sizing code
				C1	n1-h1	C2	n2-h2									AE1-300	AE2-300	
50 A	52	41	95	105	4-15	120	4-19	122	60	145	60	102	273	5.4	159	AE1-300	AE2-300	0
65 A	64	44	108	130	4-15	140	4-19	122	60	145	60	102	290	5.9	266	AE1-300	AE2-300	0
80 A	78	44	125	145	4-19	150	8-19	122	60	145	60	102	313	6.2	457	AE1-600	AE2-600	0
100 A	103	51	145	165	8-19	175	8-19	122	60	145	60	102	347	7.2	860	AE1-600	AE2-600	0
125 A	129	54	186	200	8-19	210	8-23	160	97	175	63	115	399	15	1320	AE1-02K	AE2-02K	0
150 A	154	54	210	230	8-19	240	8-23	160	97	175	63	115	412	16	2020	AE1-02K	AE2-02K	0
200 A	200	60	256	280	8-23	290	12-23	160	97	175	63	115	453	24	3540	AE1-02K	AE2-02K	1
								195	75	220	75	130	513	29		AE1-06K	AE2-06K	0



NOTE
 Attachment
 ·Cable gland(nylon), G 1/2, for φ6~12 cable
 ·Plug

9	Actuator	Aluminum alloy die-cast cover	1	
8	Joint	SUS304/SCS13A	1	
7	Bracket	SCS13A	1	
6	O-ring	NBR	3	
5	Pin	SUS403	1	
4	Stem	SUS403	1	
3	Seat	EPDM	1	
2	Disc	CAC703	1	
1	Body	FCD450	1	
No	DESCRIPTION	MATERIALS	REQ'D	REMARKS

			APPR'D	H.F	ValveDN: 50~200 A TITLE J5K/10K Flanged-end (Wafer type) FN type electric actuated butterfly valve				
			CHK'D	K.Y					
			DESIGN						
			DRAWN	P.O	MODEL	AE1FN**1DAE		AE2FN**1DAE	
MARK	DATE	BY	DATE	'16-04-01	SCALE	NON	DWG No.	FN-*1DAE-AE7-EN	
REVISIONS									
MV-2506									