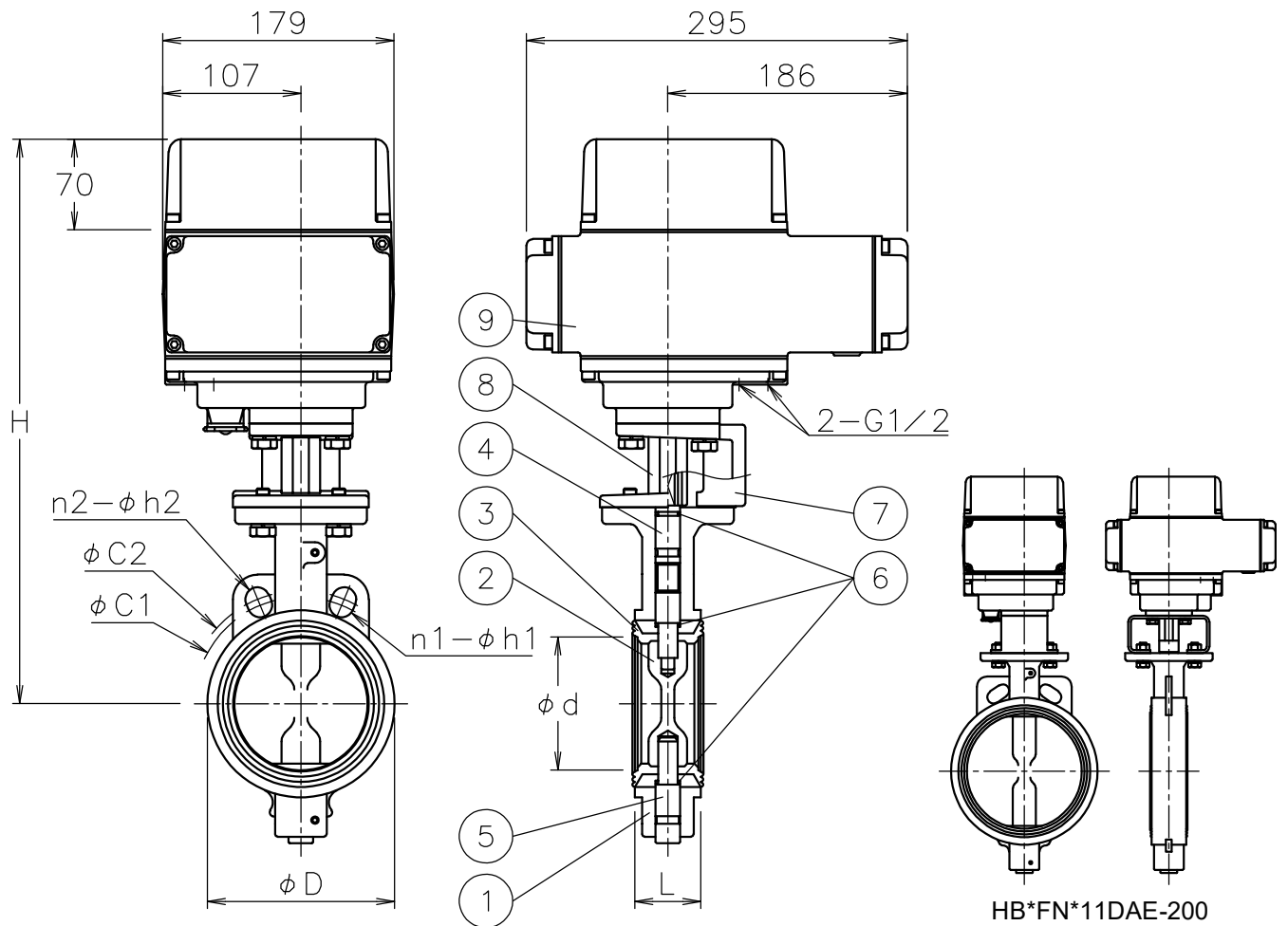


Valve DN	d	L	D	J5K		J10K		H	Weight (kg)	Cv	Actuator				Sizing code
				C1	n1-h1	C2	n2-h2				ABR-300	ABE-300	HBR-300	HBE-300	
50 A	52	41	95	105	4-15	120	4-19	385	12	159	ABR-300	ABE-300	HBR-300	HBE-300	0
65 A	64	44	108	130	4-15	140	4-19	402	13	266	ABR-300	ABE-300	HBR-300	HBE-300	0
80 A	78	44	125	145	4-19	150	8-19	409	13	457	ABR-300	ABE-300	HBR-300	HBE-300	1
								409	13		ABR-700	ABE-700	HBR-700	HBE-700	0
100 A	103	51	145	165	8-19	175	8-19	437	14	860	ABR-700	ABE-700	HBR-700	HBE-700	0
125 A	129	54	186	200	8-19	210	8-23	437	16	1320	ABR-700	ABE-700	HBR-700	HBE-700	1
								459	18		-	-	HBR-02K	HBE-02K	0
150 A	154	54	210	230	8-19	240	8-23	472	19	2020	-	-	HBR-02K	HBE-02K	0
200 A	200	60	256	280	8-23	290	12-23	513	26	3540	-	-	HBR-02K	HBE-02K	1



NOTE  
Attachment  
·Cable gland( nylon), G 1/2, for φ6~12 cable  
·Plug

9	Actuator	AC4C	1	
8	Joint	SCS13A	1	
7	Bracket	ADC12/SUS304	1	
6	O-ring	NBR	3	
5	Pin	SUS403	1	
4	Stem	SUS403	1	
3	Seat	EPDM	1	
2	Disc	CAC703	1	
1	Body	FCD450	1	
No	DESCRIPTION	MATERIALS	REQ'D	REMARKS

			APPR'D	H.F	TITLE	J5K/10K Flanged-end (Wafer type) ValveDN: 50~200 A FN type electric emergency shut off butterfly valve			
			CHK'D	K.Y					
			DESIGN		MODEL	ABRFN**1DAE		HBRFN**1DAE	
			DRAWN	P.O		ABEFN**1DAE		HBEFN**1DAE	
MARK	DATE	BY	DATE	'16-10-17	SCALE	NON	DWG No.	FN-*1DAE-AB4-EN	
REVISIONS									
MV-2552									