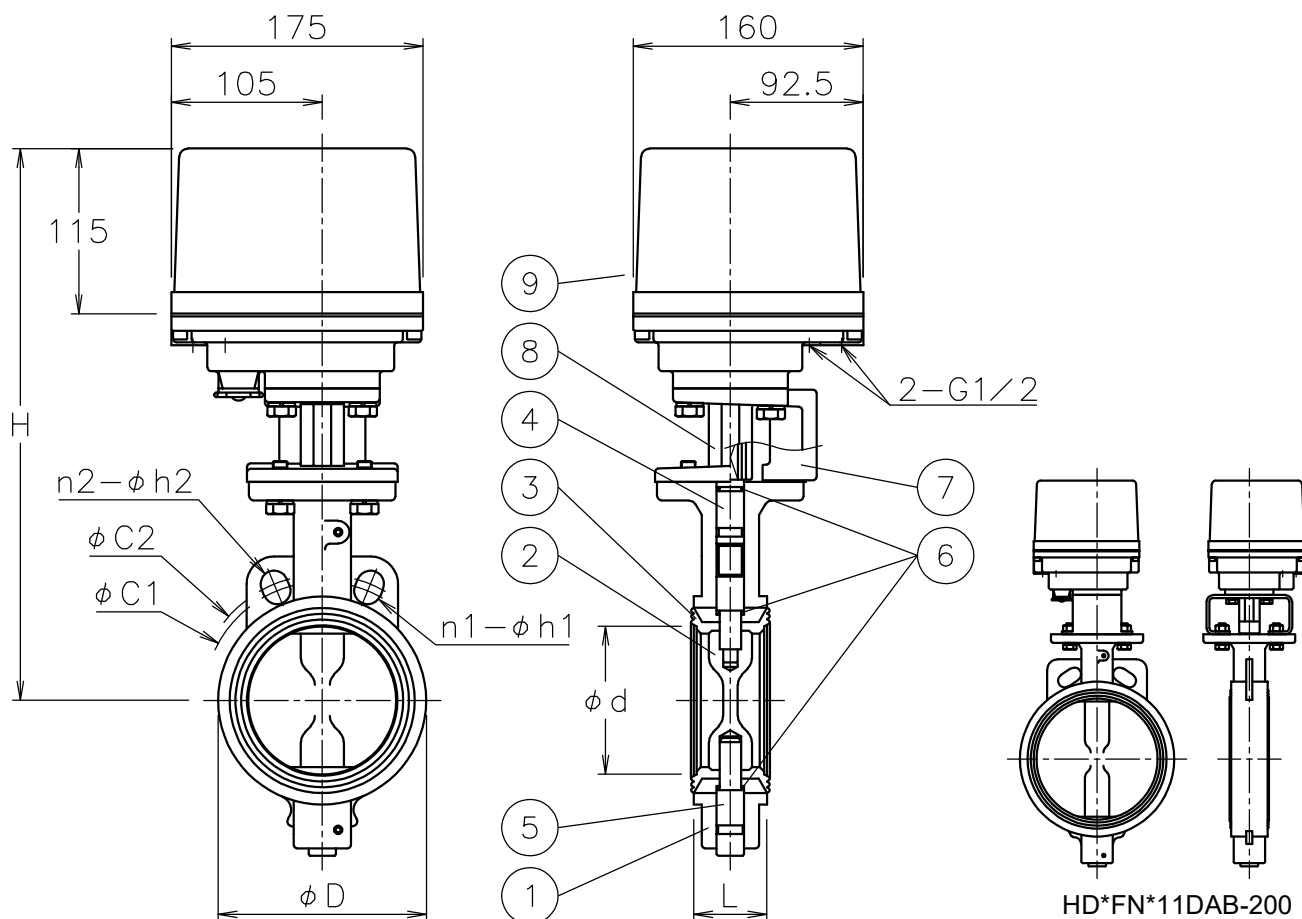


| Valve DN | d   | L  | D   | J5K |       | J10K |       | H   | Weight (kg) | Cv   | Actuator |         |         | Sizing code |
|----------|-----|----|-----|-----|-------|------|-------|-----|-------------|------|----------|---------|---------|-------------|
|          |     |    |     | C1  | n1-h1 | C2   | n2-h2 |     |             |      | HD1-300  | HD2-300 | HD0-300 |             |
| 50 A     | 52  | 41 | 95  | 105 | 4-15  | 120  | 4-19  | 332 | 8.5         | 159  | HD1-300  | HD2-300 | HD0-300 | 0           |
| 65 A     | 64  | 44 | 108 | 130 | 4-15  | 140  | 4-19  | 349 | 9           | 266  | HD1-300  | HD2-300 | HD0-300 | 0           |
| 80 A     | 78  | 44 | 125 | 145 | 4-19  | 150  | 8-19  | 356 | 9.2         | 457  | HD1-300  | HD2-300 | HD0-300 | 1           |
|          |     |    |     |     |       |      |       | 356 | 9.4         |      | HD1-700  | HD2-700 | HD0-700 | 0           |
| 100 A    | 103 | 51 | 145 | 165 | 8-19  | 175  | 8-19  | 384 | 11          | 860  | HD1-700  | HD2-700 | HD0-700 | 0           |
| 125 A    | 129 | 54 | 186 | 200 | 8-19  | 210  | 8-23  | 384 | 13          | 1320 | HD1-700  | HD2-700 | HD0-700 | 1           |
|          |     |    |     |     |       |      |       | 406 | 15          |      | HD1-02K  | HD2-02K | HD0-02K | 0           |
| 150 A    | 154 | 54 | 210 | 230 | 8-19  | 240  | 8-23  | 419 | 16          | 2020 | HD1-02K  | HD2-02K | HD0-02K | 0           |
| 200 A    | 200 | 60 | 256 | 280 | 8-23  | 290  | 12-23 | 460 | 23          | 3540 | HD1-02K  | HD2-02K | HD0-02K | 1           |



NOTE  
Attachment  
·Cable gland( nylon), G 1/2, for  $\phi 6\sim 12$  cable  
·Plug

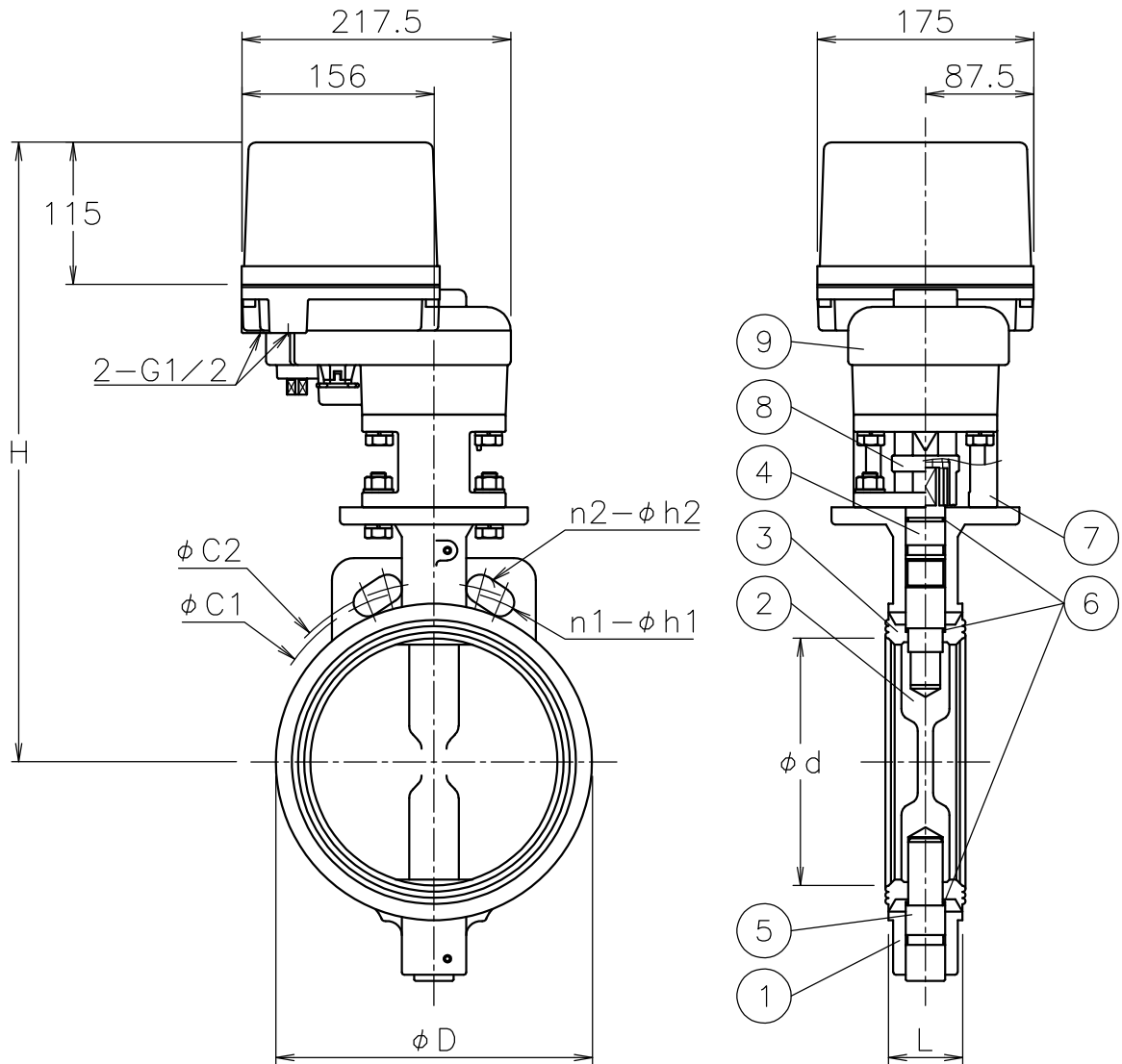
| 9  | Actuator    | Aluminum alloy die-cast cover | 1     |         |
|----|-------------|-------------------------------|-------|---------|
| 8  | Joint       | SCS13A                        | 1     |         |
| 7  | Bracket     | ADC12/SUS304                  | 1     |         |
| 6  | O-ring      | NBR                           | 3     |         |
| 5  | Pin         | SUS403                        | 1     |         |
| 4  | Stem        | SUS403                        | 1     |         |
| 3  | Seat        | NBR                           | 1     |         |
| 2  | Disc        | CAC703                        | 1     |         |
| 1  | Body        | FCD450                        | 1     |         |
| No | DESCRIPTION | MATERIALS                     | REQ'D | REMARKS |

|           |      |    |        |           |       |  |         |                  |  |  |
|-----------|------|----|--------|-----------|-------|--|---------|------------------|--|--|
|           |      |    | APPR'D | H.F       | TITLE | J5K/10K Flanged-end (Wafer type) ValveDN: 50~200 A |         |                  |  |  |
|           |      |    | CHK'D  | K.Y       |       | FN type electric actuated butterfly valve          |         |                  |  |  |
|           |      |    | DESIGN |           | MODEL | HD1FN**1DAB HD2FN**1DAB HD0FN0*1DAB                |         |                  |  |  |
|           |      |    | DRAWN  | P.O       |       |  |         |                  |  |  |
| MARK      | DATE | BY | DATE   | '16-10-17 | SCALE | NON  | DWG No. | FN-*1DAB-HDA4-EN |  |  |
| REVISIONS |      |    |        |           |       |  |         |                  |  |  |
| MV-2552   |      |    |        |           |       |  |         |                  |  |  |



NIPPON VALVE CONTROLS, INC.

| Valve DN | d   | L  | D   | J5K |       | J10K |       | H   | Weight (kg) | Cv   | Actuator |         |         | Sizing code |
|----------|-----|----|-----|-----|-------|------|-------|-----|-------------|------|----------|---------|---------|-------------|
|          |     |    |     | C1  | n1-h1 | C2   | n2-h2 |     |             |      | HD1-06K  | HD2-06K | HD0-06K |             |
| 200 A    | 200 | 60 | 256 | 280 | 8-23  | 290  | 12-23 | 501 | 29          | 3540 | HD1-06K  | HD2-06K | HD0-06K | 0           |




**NOTE**

Attachment

- Cable gland( nylon), G 1/2, for  $\phi 6\sim 12$  cable
- Plug

| 9  | Actuator    | Aluminum alloy die-cast cover | 1     |         |
|----|-------------|-------------------------------|-------|---------|
| 8  | Joint       | SCS13A                        | 1     |         |
| 7  | Bracket     | SCS13A                        | 1     |         |
| 6  | O-ring      | NBR                           | 3     |         |
| 5  | Pin         | SUS403                        | 1     |         |
| 4  | Stem        | SUS403                        | 1     |         |
| 3  | Seat        | NBR                           | 1     |         |
| 2  | Disc        | CAC703                        | 1     |         |
| 1  | Body        | FCD450                        | 1     |         |
| No | DESCRIPTION | MATERIALS                     | REQ'D | REMARKS |

|           |      |    |  |           |       |   |         |                  |  |
|-----------|------|----|--|-----------|-------|---|---------|------------------|--|
|           |      |    | APPR'D   | H.F       | TITLE | J5K/10K Flanged-end (Wafer type) ValveDN: 200 A |         |                  |  |
|           |      |    | CHK'D  | K.Y       |       |   |         |                  |  |
|           |      |    | DESIGN   |           | MODEL | HD1FN*01DAB HD2FN*01DAB HD0FN001DAB             |         |                  |  |
|           |      |    | DRAWN  | P.O       |       |   |         |                  |  |
| MARK      | DATE | BY | DATE   | '16-10-17 | SCALE | NON   | DWG No. | FN-01DAB-HDB3-EN |  |
| REVISIONS |      |    |  <b>NIPPON VALVE CONTROLS, INC.</b> |           |       |   |         |                  |  |
| MV-2552   |      |    |  |           |       |   |         |                  |  |