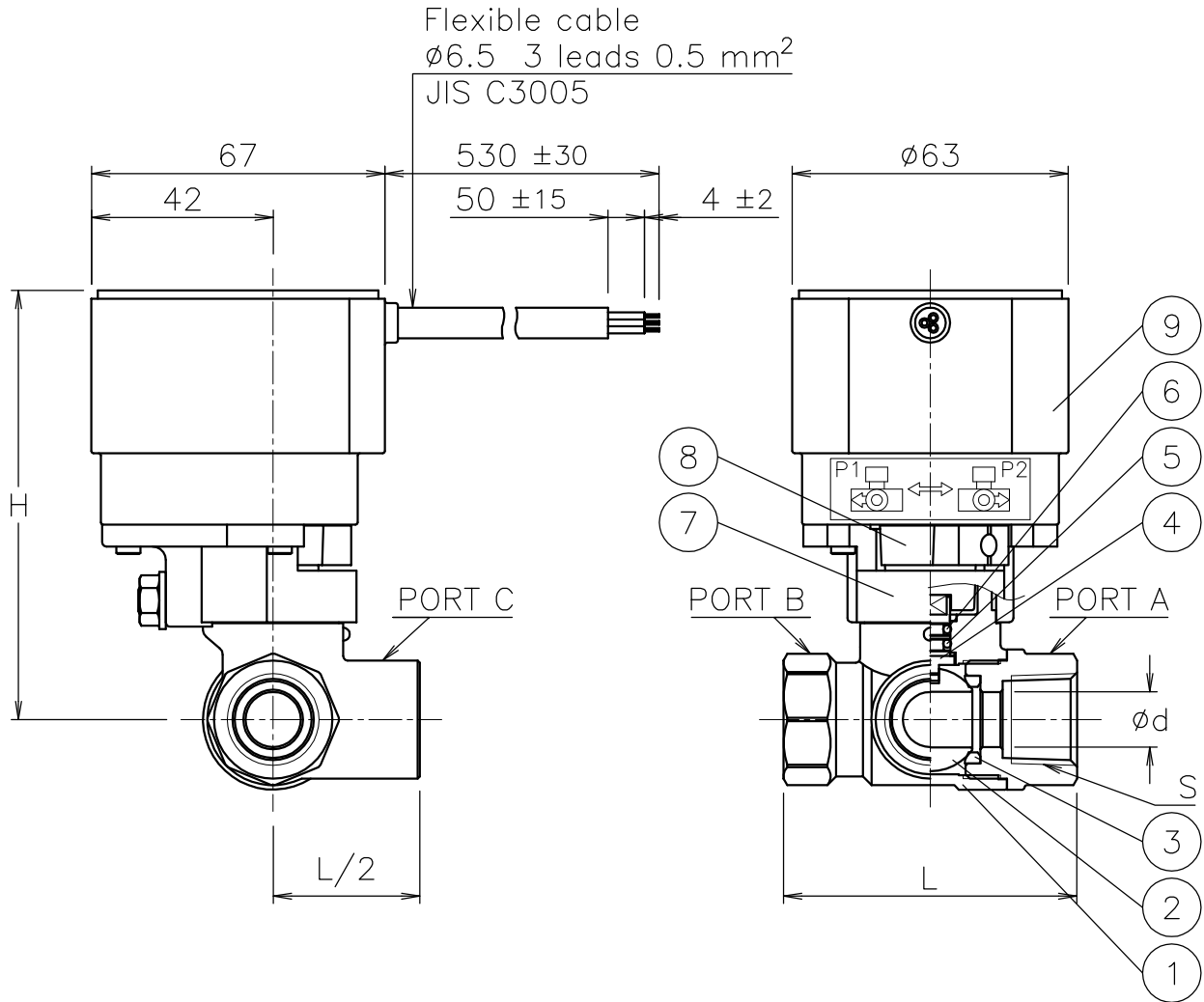
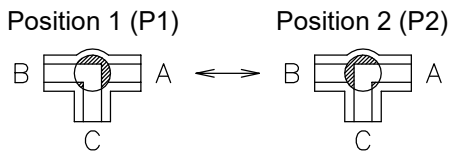



Size [mm]	S	d	L	H	Weight [kg]	Cv P1/P2	Actuator	Sizing code
8	Rc 1/4	8.5	47	95	0.7	1.8	PM1-030	0
10	Rc 3/8	9.2	47	95	0.7	2.2	PM1-030	0
15	Rc 1/2	13	67	98	0.8	5	PM1-030	0
20	Rc 3/4	16	70	102	1	8	PM1-030	0
25	Rc 1	20	79	107	1.2	13	PM1-030	0



Flow paths (Top view of valve)



9	Actuator	PC Case	1	
8	Joint	PPS	1	
7	Bracket	PPS	1	
6	O-ring	NBR	1	
5	O-ring	FKM	1	
4	Stem	SUS316	1	Cr plated
3	Seat	PTFE	2	
2	Ball	SUS316	1	
1	Body	SCS14A	1	
No	DESCRIPTION	MATERIALS	REQ'D	REMARKS

			APPR'D	H.F	TITLE	Threaded End Rc		
			CHK'D	K.Y		EL type motorized 3 way ball valve		
			DESIGN		MODEL	PM1EL*05UUT		
			DRAWN	S.O				
MARK	DATE	BY	DATE	'19-07-16	SCALE	NON	DWG No.	EL-05UUT-PM18-EN
REVISIONS			 NIPPON VALVE CONTROLS, INC.					
MV-2778								