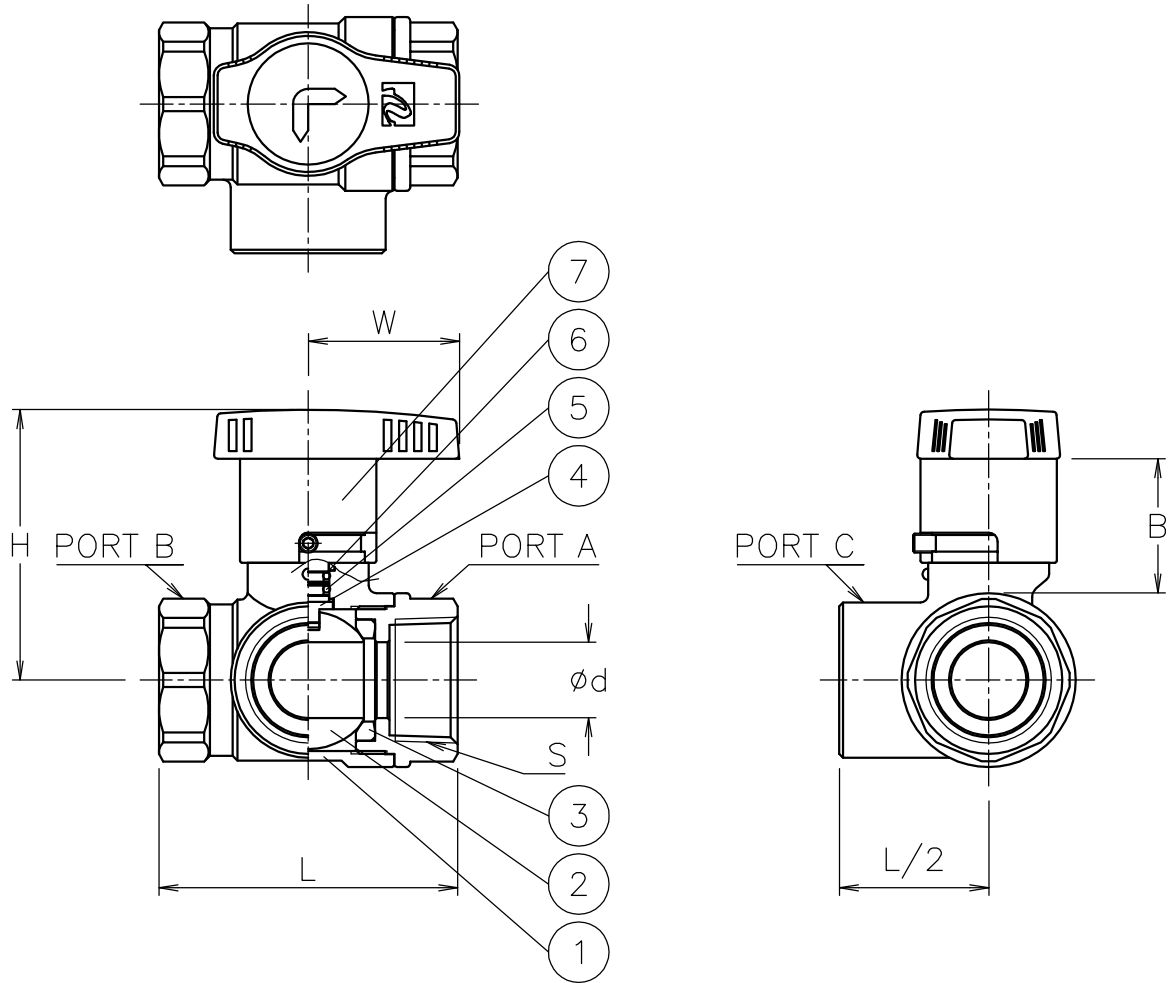
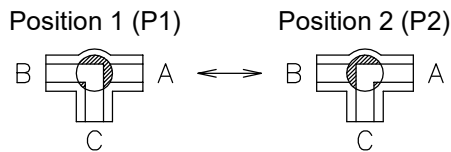


Size [mm]	S	d	L	W	B	H	Weight [kg]	Cv P1/P2	Actuator
8	Rc 1/4	8.5	47	40	34	60	0.3	1.8	Lever
10	Rc 3/8	9.2	47	40	34	60	0.3	2.2	Lever
15	Rc 1/2	13	67	40	34	63	0.4	5	Lever
20	Rc 3/4	16	70	40	33	66	0.6	8	Lever
25	Rc 1	20	79	40	36	72	0.8	13	Lever
32	Rc1 1/4	25	89	60	41	87	1.1	22	Lever
40	Rc1 1/2	32	100	60	41	92	1.6	36	Lever
50	Rc 2	39	119	60	42	98	2.4	50	Lever



Flow paths (Top view of valve)



7	Lever handle	SPS	1	
6	O-ring	NBR	1	
5	O-ring	FKM	1	
4	Stem	SUS316	1	Cr plated
3	Seat	PTFE	2	
2	Ball	SUS316	1	
1	Body	SCS14A	1	
No	DESCRIPTION	MATERIALS	REQ'D	REMARKS

			APPR'D	H.F	TITLE	Threaded End Rc EL type 3 way ball valve				
			CHK'D	K.Y		MODEL	MACELT-5UUT			
			DESIGN		MARK		DATE	BY	DATE	'19-07-16
			DRAWN	S.O			SCALE	NON	DWG No.	EL-5UUT-MA8-EN
REVISIONS			NIPPON VALVE CONTROLS, INC.							
MV-2778										