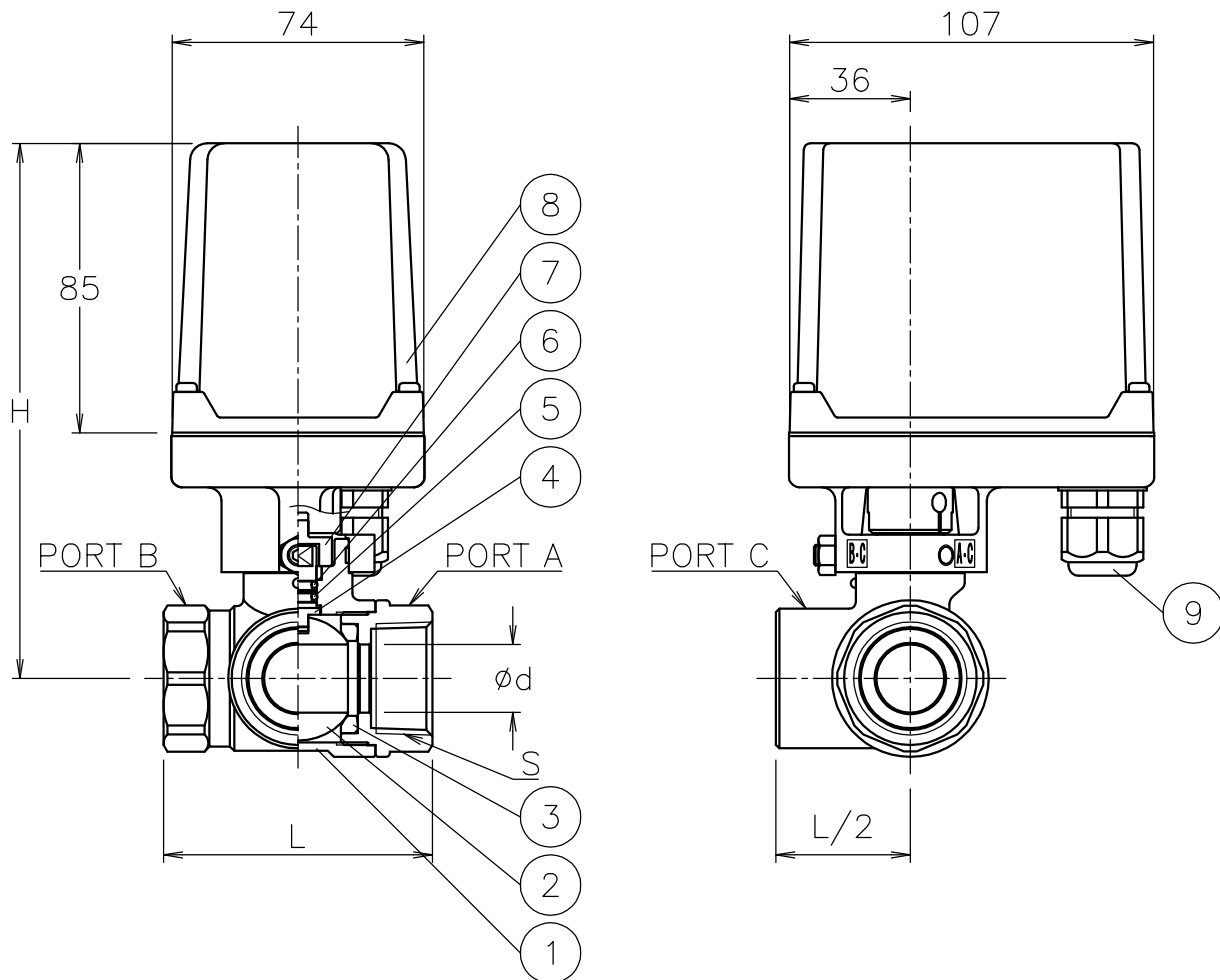


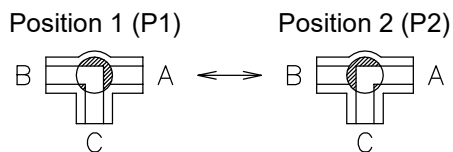
Size [mm]	S	d	L	H	Weight [kg]	Cv P1/P2	Actuator	Sizing code
8	Rc 1/4	8.5	47	146	1.3	1.8	ACR-030	0
10	Rc 3/8	9.2	47	146	1.3	2.2	ACR-030	0
15	Rc 1/2	13	67	149	1.4	5	ACR-030	0
20	Rc 3/4	16	70	152	1.5	8	ACR-030	0
25	Rc 1	20	79	158	1.8	13	ACR-030	0




NOTE

(a) Cable acceptance 5φ to 10.5φ mm.

Flow paths (Top view of valve)



9	Cable gland	NYLON 6	1	G3/8 (a)
8	Actuator	ADC12/PC Cover	1	
7	Joint	SUS304	1	
6	O-ring	NBR	1	
5	O-ring	FKM	1	
4	Stem	SUS316	1	Cr plated
3	Seat	PTFE	2	
2	Ball	SUS316	1	
1	Body	SCS14A	1	
No	DESCRIPTION	MATERIALS	REQ'D	REMARKS

			APPR'D	H.F	TITLE	Threaded End Rc EL type electric emergency shut off 3 way ball valve					
			CHK'D	K.Y		MODEL	ACREL205UUT				
			DESIGN		SCALE		NON	DWG No.	EL-05UUT-AC7-EN		
MARK	DATE	BY	DATE	'19-07-17							
REVISIONS			 NIPPON VALVE CONTROLS, INC.								
MV-2778											