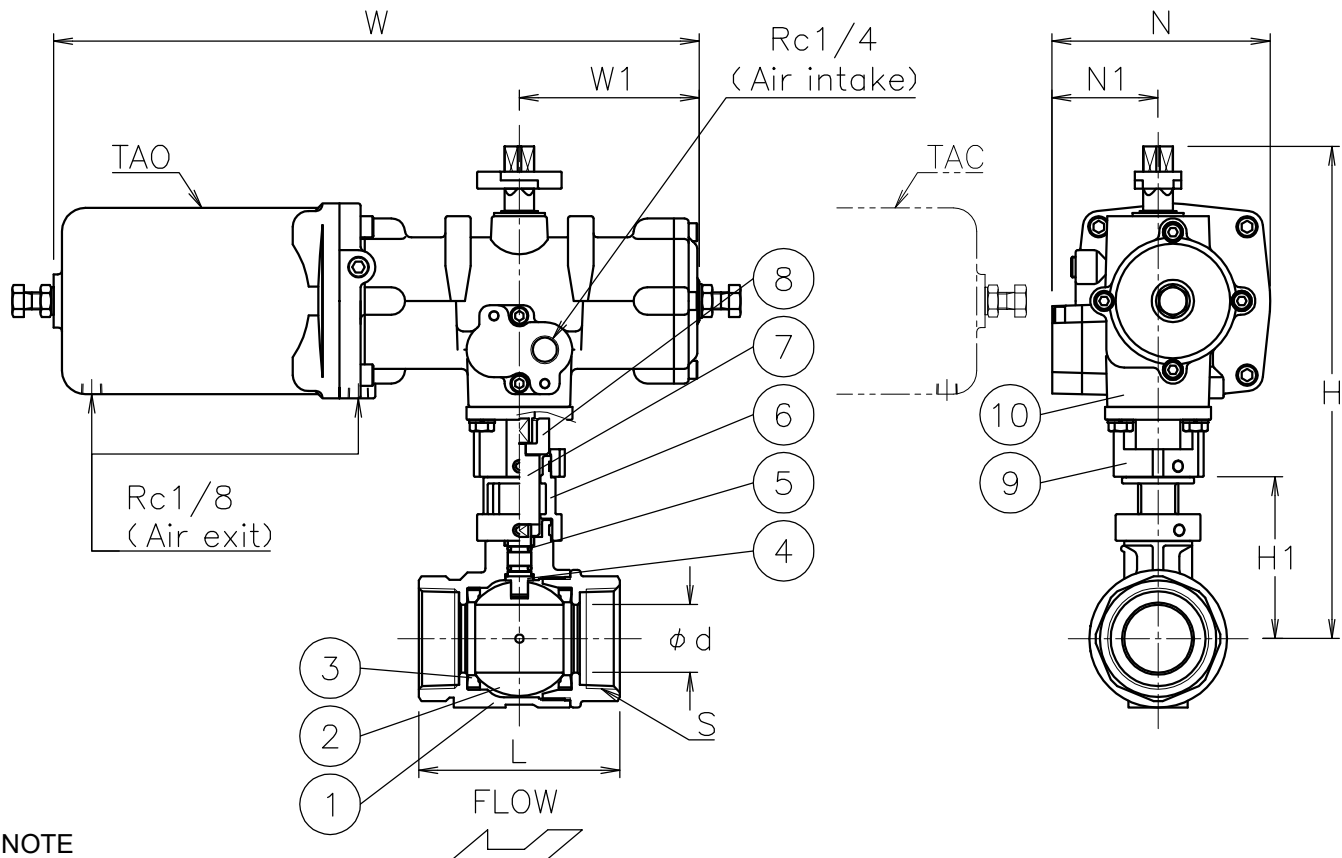


Size (mm)	S	d	L	W	W1	N	N1	H1	H	Weight (kg)	Cv	Actuator		Sizing code
15	Rc 1/2	13	59	249	55	92	46	52	162	2.9	9	TAO-040	TAC-040	0
20	Rc 3/4	15	66	249	55	92	46	54	164	3	13	TAO-040	TAC-040	0
25	Rc 1	20	78	249	55	92	46	61	170	3.2	24	TAO-040	TAC-040	0
32	Rc1 1/4	25	87	305	85	103	50	71	227	4.3	44	TAO-050	TAC-050	0
40	Rc1 1/2	32	95	305	85	103	50	77	233	4.7	80	TAO-050	TAC-050	0
50	Rc 2	40	109	305	85	103	50	83	239	5.3	120	TAO-050	TAC-050	0

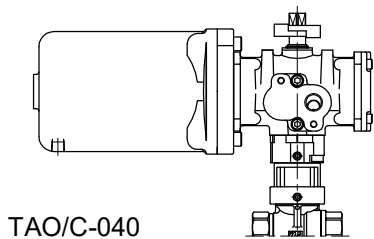


**NOTE**

- Air supply: 0.4~0.5Mpa max 0.7Mpa
- Actuator operation

TAO	Air to intake port : OPEN
	Spring return : SHUT
TAC	Air to intake port : SHUT
	Spring return : OPEN

- ※ This drawing is TAO.
- ※ Only as for TAC-040, a cylinder direction becomes the same as TAO.



TAO/C-040

10	Actuator		1	TAO/C
9	Joint	ZDC2	1	
8	Bracket	ZDC2	1	
7	Joint	SUS303	1	
6	Bracket	SCS13A	1	
5	O-ring	Steam resistant FKM	2	
4	Stem	SUS316	1	Cr plated
3	Seat	R-PTFE	2	
2	Ball	SCS14A	1	
1	Body	SCS14A	1	
No	DESCRIPTION	MATERIALS	REQ'D	REMARKS

			APPR'D	H.F	TITLE	Threaded End Rc (single-acting type) EG type pneumatic actuated ball valve					
			CHK'D	K.Y		MODEL	TAOEG905UUP      TACEG905UUP				
			DESIGN		SCALE		NON	DWG No.	EG-905UUP-TD4-EN		
MARK	DATE	BY	DATE	'16-11-17							
REVISIONS											
MV-2565											