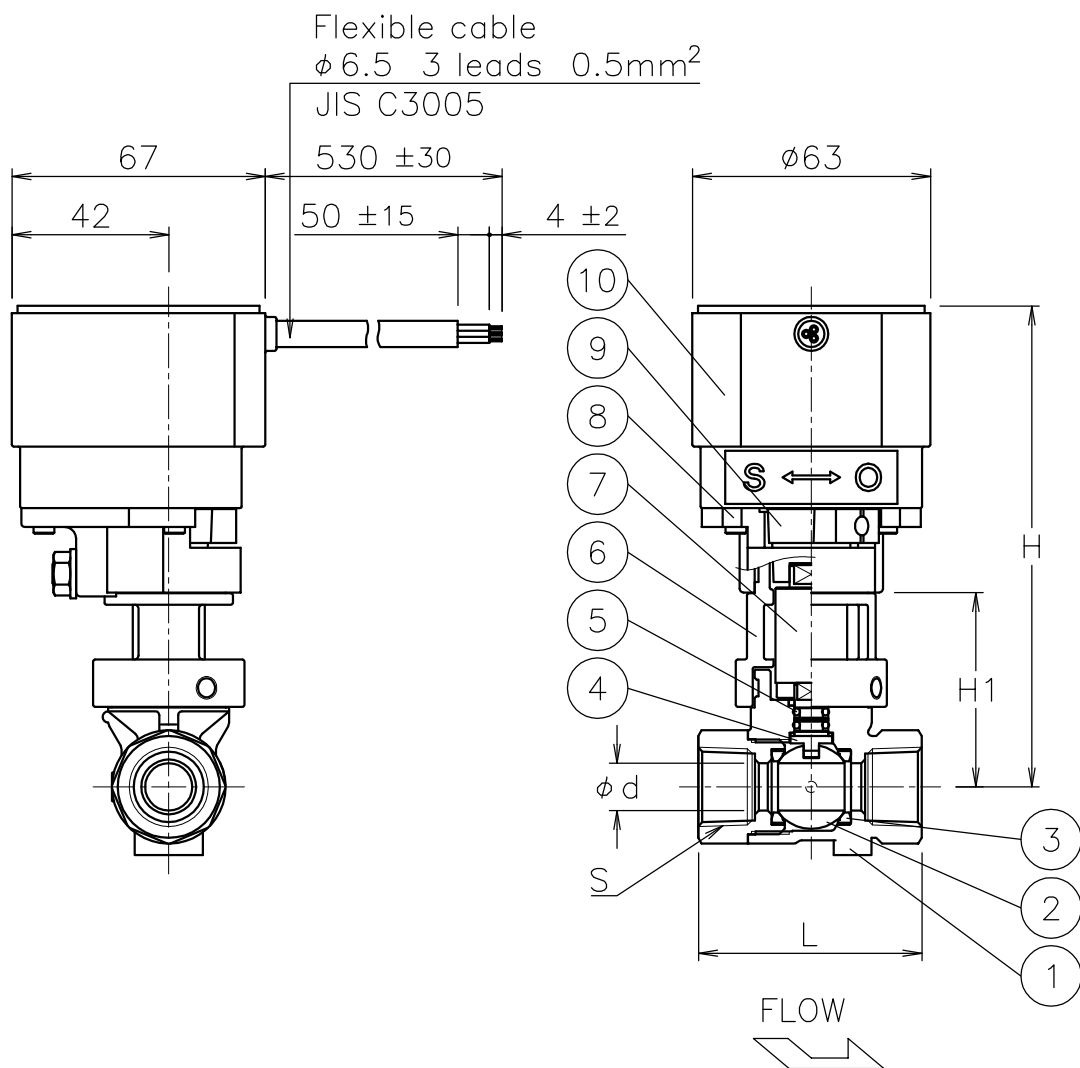


Size (mm)	S	d	L	H1	H	Weight (kg)	Cv	Actuator	Sizing code
15	Rc 1/2	13	59	52	128	0.8	9	PM1-030	0



10	Actuator	PC Case	1	
9	Joint	PPS	1	
8	Bracket	PPS	1	
7	Joint	SUS303	1	
6	Bracket	SCS13A	1	
5	O-ring	Steam resistant FKM	2	
4	Stem	SUS316	1	Cr plated
3	Seat	R-PTFE	2	
2	Ball	SCS14A	1	
1	Body	SCS14A	1	
No	DESCRIPTION	MATERIALS	REQ'D	REMARKS

			APPR'D	H.F	TITLE	Threaded End Rc			
			CHK'D	K.Y		EG type motorized ball valve			
			DESIGN		MODEL	PM1EG*05UUP			
			DRAWN	S.O					
MARK	DATE	BY	DATE	'16-11-15	SCALE	NON	DWG No.	EG-05UUP-PM5-EN	
REVISIONS									
MV-2565									