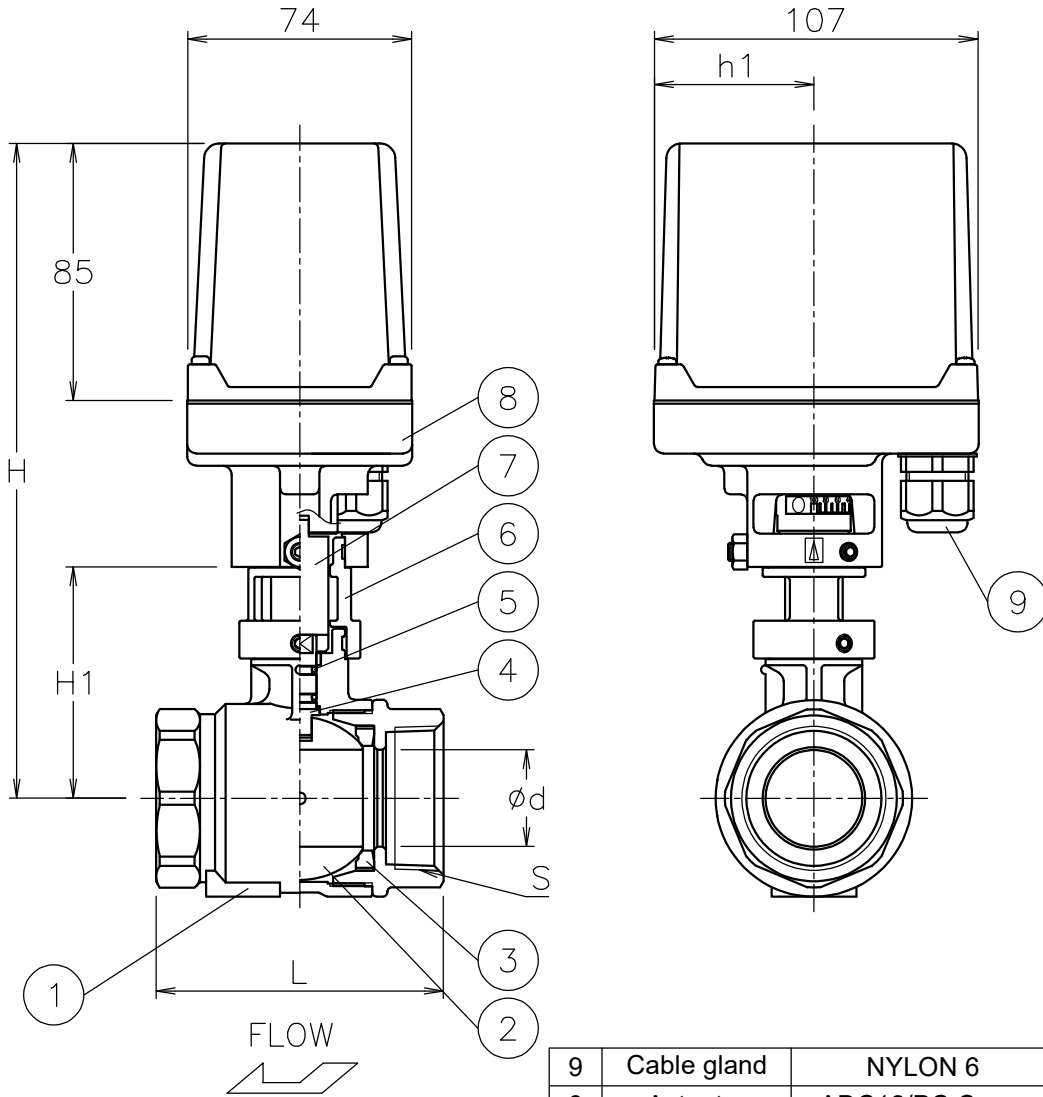



Size [mm]	S	d	L	H1	h1	H	Weight [kg]	Cv	Actuator	Sizing code
15	Rc 1/2	13	59	52	36	178	1.8	9	PAX-050	0
20	Rc 3/4	15	66	54	36	180	1.9	13	PAX-050	0
25	Rc 1	20	78	61	53	201	2.3	24	PAX-120	0
32	Rc1 1/4	25	87	71	53	211	2.6	44	PAX-120	0
40	Rc1 1/2	32	95	77	53	217	3	80	PAX-120	0



NOTE
(a) Cable acceptance 5ϕ to 10.5ϕ mm.

9	Cable gland	NYLON 6	1	G 3/8 (a)
8	Actuator	ADC12/PC Cover	1	
7	Joint	SUS303	1	
6	Bracket	SCS13A	1	
5	O-ring	Steam resistant FKM	2	
4	Stem	SUS316	1	Cr plated
3	Seat	R-PTFE	2	
2	Ball	SCS14A	1	
1	Body	SCS14A	1	
No	DESCRIPTION	MATERIALS	REQ'D	REMARKS

			APPR'D	H.F	TITLE	Threaded End Rc EG type motorized control valve					
			CHK'D	K.Y							
			DESIGN		MODEL	PAXEG*05UUP					
			DRAWN	S.O							
MARK	DATE	BY	DATE	'21-03-23	SCALE	NON	DWG No.	EG-05UUP-AX7-EN			
REVISIONS			 NIPPON VALVE CONTROLS, INC.								
MV-2890											