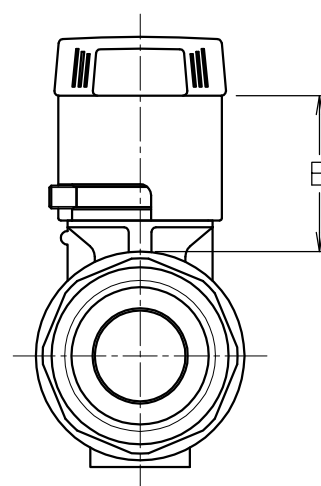
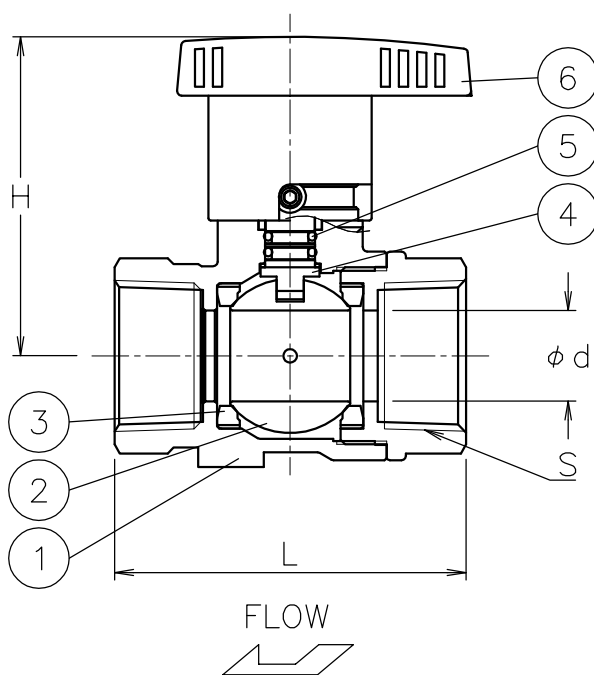
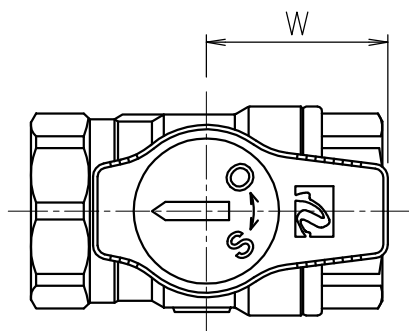



Size (mm)	S	d	L	W	B	H	Weight (kg)	Cv	Actuator
15	Rc 1/2	13	59	40	34	62	0.3	9	Lever
20	Rc 3/4	15	66	40	32	64	0.4	13	Lever
25	Rc 1	20	78	40	35	71	0.6	24	Lever
32	Rc1 1/4	25	87	60	41	87	1	44	Lever
40	Rc1 1/2	32	95	60	41	92	1.4	80	Lever
50	Rc 2	40	109	60	42	98	2	120	Lever



6	Lever handle	SPS	1	
5	O-ring	Steam resistant FKM	2	
4	Stem	SUS316	1	Cr plated
3	Seat	R-PTFE	2	
2	Ball	SCS14A	1	
1	Body	SCS14A	1	
No	DESCRIPTION	MATERIALS	REQ'D	REMARKS

			APPR'D	H.F	TITLE	Threaded End Rc EG type ball valve				
			CHK'D	K.Y						
			DESIGN		MODEL	MACEGT-5UUP				
			DRAWN	S.O						
MARK	DATE	BY	DATE	'16-11-14	SCALE	NON	DWG No.	EG-5UUP-MA5-EN		
REVISIONS			 <b>NIPPON VALVE CONTROLS, INC.</b>							
MV-2565										