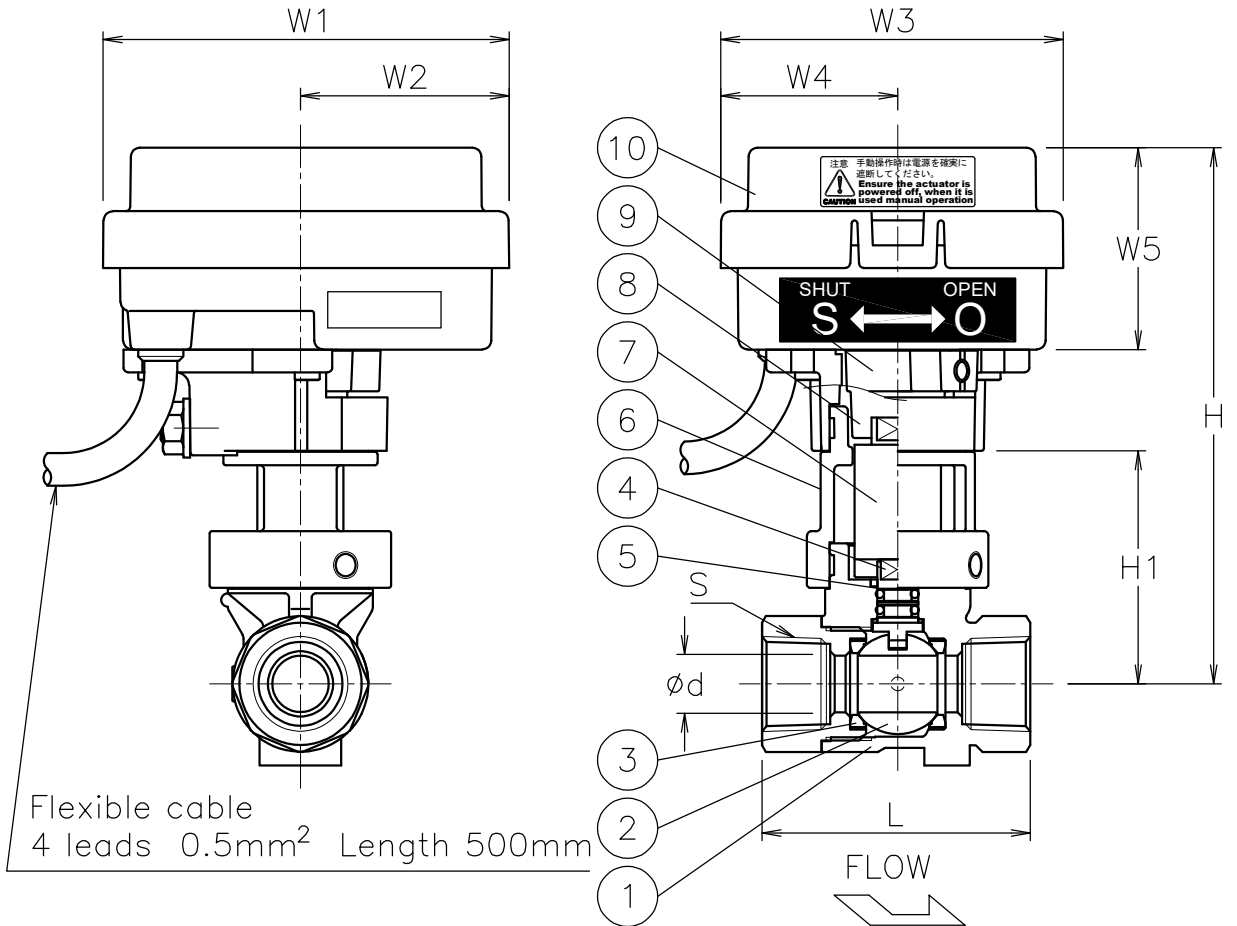


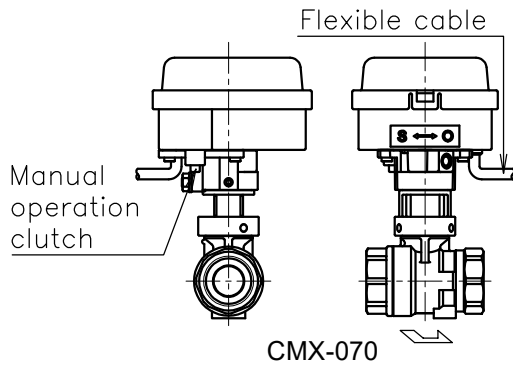
Size (mm)	S	d	L	W1	W2	W3	W4	W5	H1	H	Weight (kg)	Cv	Actuator	Sizing code
15	Rc 1/2	13	59	90	46	76	39	44.5	52	119	0.8	9	CMX-030	0
				105	55	96	48	61		139	1.1		CMX-070	2
20	Rc 3/4	15	66	90	46	76	39	44.5	54	121	0.9	13	CMX-030	0
				105	55	96	48	61		142	1.2		CMX-070	2
25	Rc 1	20	78	105	55	96	48	61	61	148	1.4	24	CMX-070	0
32	Rc1 1/4	25	87	105	55	96	48	61	71	159	1.7	44	CMX-070	0



Flexible cable
4 leads 0.5mm² Length 500mm

NOTE

- For manual operation on CMX-070, press the clutch button while operating it.



10	Actuator	PC Case	1	
9	Joint	PPS	1	
8	Bracket	PPS	1	
7	Joint	SUS303	1	
6	Bracket	SCS13A	1	
5	O-ring	Steam resistant FKM	2	
4	Stem	SUS316	1	Cr plated
3	Seat	R-PTFE	2	
2	Ball	SCS14A	1	
1	Body	SCS14A	1	
No	DESCRIPTION	MATERIALS	REQ'D	REMARKS

			APPR'D	K.Y	TITLE	Threaded End Rc E type motorized control valve								
			CHK'D	K.Y		MODEL	CMXEG**5UUP							
			DESIGN		MARK		DATE	BY	DATE	'24-09-18	SCALE	NON	DWG No.	EG-*5UUP-MX6-EN
			DRAWN	P.O			REVISIONS							
MV-3081					NIPPON VALVE CONTROLS, INC.									