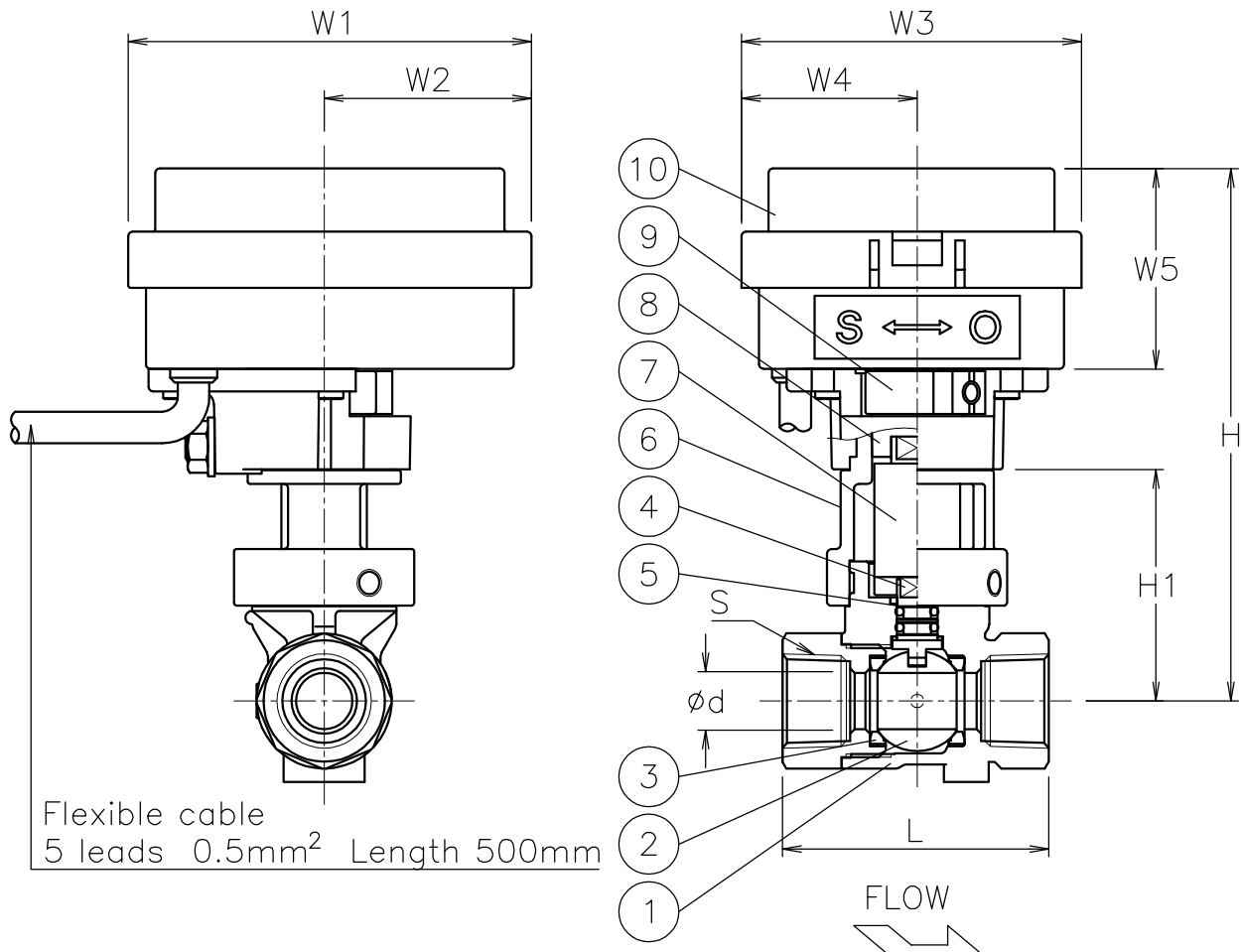


Size (mm)	S	d	L	W1	W2	W3	W4	W5	H1	H	Weight (kg)	Cv	Actuator		Sizing code
15	Rc 1/2	13	59	90	46	76	39	44.5	52	119	0.9	9	CM*-030	CD2-030	0
20	Rc 3/4	15	66	90	46	76	39	44.5	54	121	1	13	CM*-030	CD2-030	0
25	Rc 1	20	78	105	55	96	48	61 (84)	61	148 (171)	1.4	24	CM*-070	CD2-070	0
32	Rc1 1/4	25	87	105	55	96	48	61 (84)	71	159 (182)	1.7	44	CM*-070	CD2-070	0

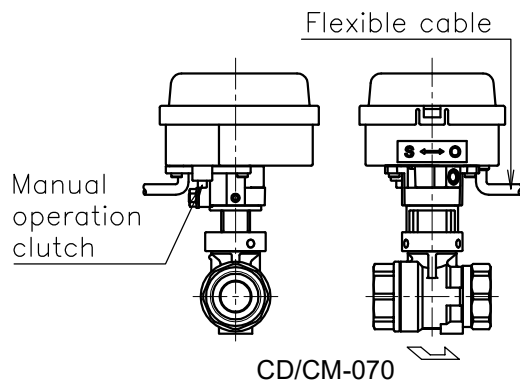
( ): CD2-070



Flexible cable  
5 leads 0.5mm<sup>2</sup> Length 500mm

**NOTE**

- For manual operation on CD/CM-070, press the clutch button while operating it.



10	Actuator	PC Case	1	
9	Joint	PPS	1	
8	Bracket	PPS	1	
7	Joint	SUS303	1	
6	Bracket	SCS13A	1	
5	O-ring	Steam resistant FKM	2	
4	Stem	SUS316	1	Cr plated
3	Seat	R-PTFE	2	
2	Ball	SCS14A	1	
1	Body	SCS14A	1	
No	DESCRIPTION	MATERIALS	REQ'D	REMARKS

			APPR'D	H.F	TITLE	Threaded End Rc E type motorized ball valve				
			CHK'D	K.Y		MODEL	CD2EG*05UUP      CM1EG*05UUP CM2EG*05UUP			
			DESIGN		SCALE		NON	DWG No.	EG-05UUP-CD9-EN	
			DRAWN	S.O						
MARK	DATE	BY	DATE	'16-11-11						
REVISIONS										
MV-2565										



**NIPPON VALVE CONTROLS, INC.**