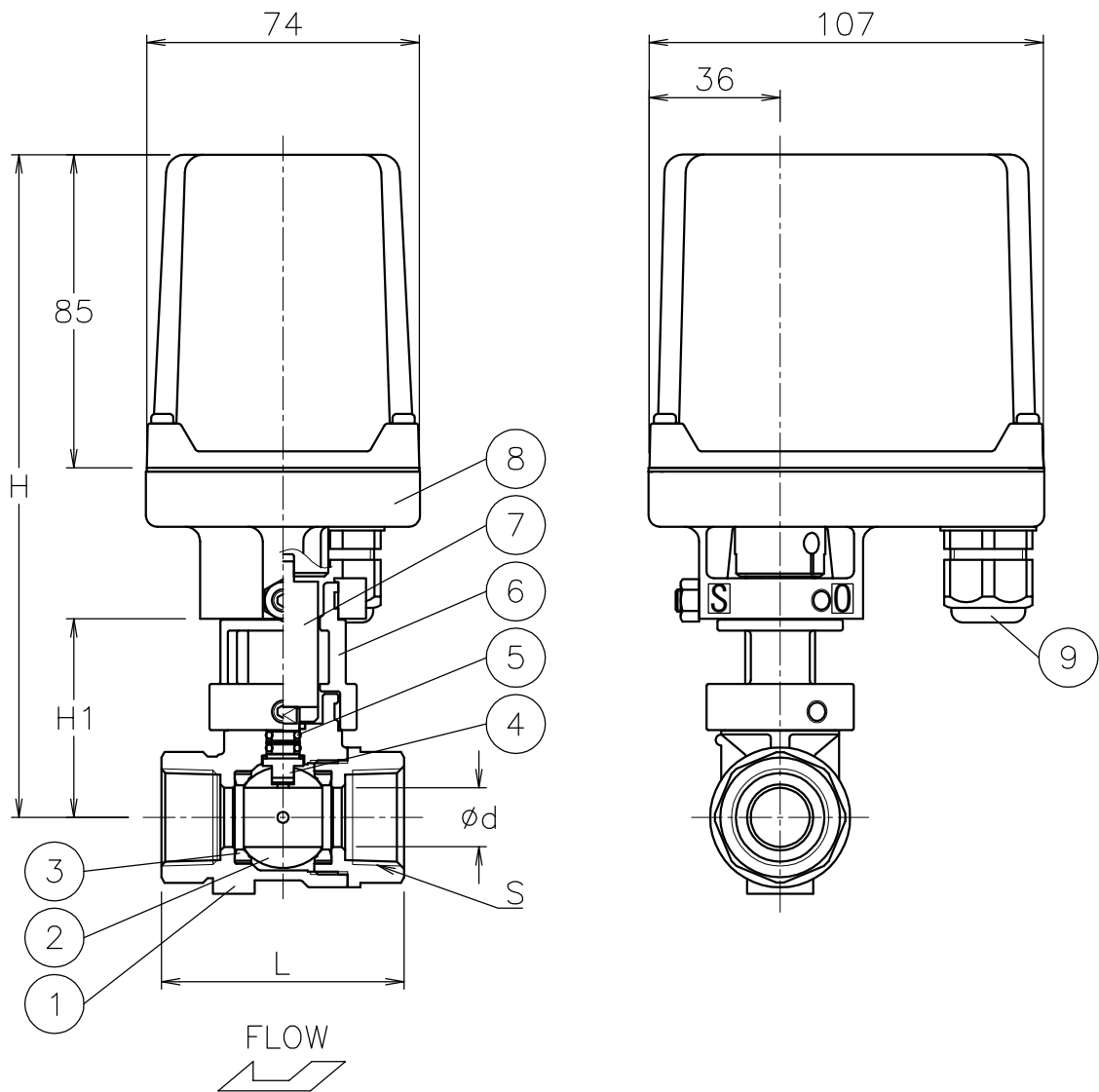



Size (mm)	S	d	L	H1	H	Weight (kg)	Cv	Actuator	Sizing code
15	Rc 1/2	13	59	52	178	1.4	9	ACR-030	0
20	Rc 3/4	15	66	54	180	1.5	13	ACR-030	0



NOTE

(a) Cable acceptance $\phi 5\sim 10.5\text{mm}$

9	Cable gland	NYLON 6	1	G 3/8 (a)
8	Actuator	ADC12/PC Cover	1	
7	Joint	SUS303	1	
6	Bracket	SCS13A	1	
5	O-ring	Steam resistant FKM	2	
4	Stem	SUS316	1	Cr plated
3	Seat	R-PTFE	2	
2	Ball	SCS14A	1	
1	Body	SCS14A	1	
No	DESCRIPTION	MATERIALS	REQ'D	REMARKS

			APPR'D	H.F	TITLE	Threaded End Rc EG type electric emergency shut off ball valve				
			CHK'D	K.Y						
			DESIGN		MODEL	ACREG205UUP				
			DRAWN	S.O						
MARK	DATE	BY	DATE	'16-11-11	SCALE	NON	DWG No.	EG-05UUP-AC4-EN		
REVISIONS			 NIPPON VALVE CONTROLS, INC.							
MV-2565										