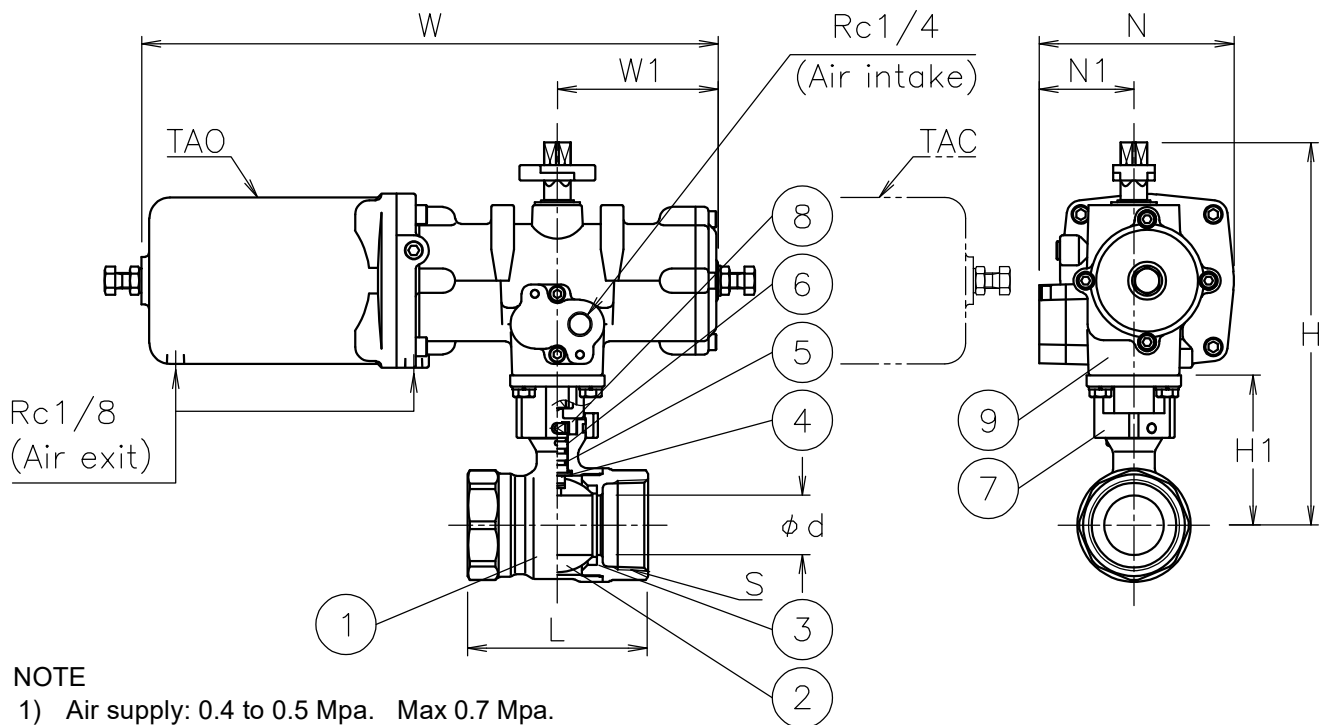


Size [mm]	S	d	L	H1	W	W1	N	N1	H	Weight [kg]	Cv	Actuator		Sizing code
15	Rc 1/2	13	59	44	249	55	92	46	134	2.8	12	TAO-040	TAC-040	0
				57	305	85	103	50	180	3.6		TAO-050	TAC-050	2
20	Rc 3/4	15	66	47	249	55	92	46	136	2.9	16	TAO-040	TAC-040	0
				60	305	85	103	50	183	3.7		TAO-050	TAC-050	2
25	Rc 1	20	78	51	249	55	92	46	141	3	28	TAO-040	TAC-040	0
				64	305	85	103	50	187	3.9		TAO-050	TAC-050	2
32	Rc1 1/4	25	87	61	249	55	92	46	151	3.2	47	TAO-040	TAC-040	0
				74	305	85	103	50	197	4.1		TAO-050	TAC-050	2
40	Rc1 1/2	32	96	80	305	85	103	50	203	4.4	83	TAO-050	TAC-050	0
50	Rc 2	38	109	86	305	85	103	50	209	5	115	TAO-050	TAC-050	0

*This drawing: TAO.

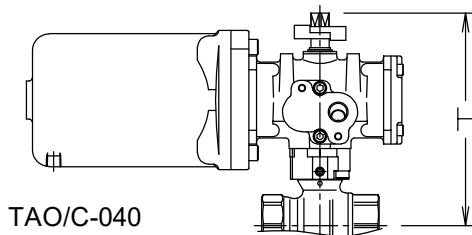


NOTE

- 1) Air supply: 0.4 to 0.5 Mpa. Max 0.7 Mpa.
- 2) Actuator operation

	Air to intake port	Spring return
TAO	OPEN	SHUT
TAC	SHUT	OPEN

*Only as for TAC-040, a cylinder direction becomes the same as TAO.



9	Actuator		1	TAO/C
8	Joint	SUS304	1	
7	Bracket	ZDC2	1	
6	O-ring	NBR	1	
5	O-ring	FKM	1	
4	Stem	Dezincification resistance brass	1	
3	Seat	F-PTFE	2	
2	Ball	C3604BD/C3771BE	1	Plated
1	Body	C3771BE	1	Plated
No	DESCRIPTION	MATERIALS	REQ'D	REMARKS

			APPR'D	H.F	TITLE	Threaded End Rc (single-acting type) E type pneumatic actuated ball valve					
			CHK'D	K.Y		MODEL	TAOE-9*5YYF TACE-9*5YYF				
			DESIGN		SCALE		NON	DWG No.	E-9*5YYF-TD3-EN		
MARK	DATE	BY	DATE	'22-11-02							
REVISIONS											
MV-2982											