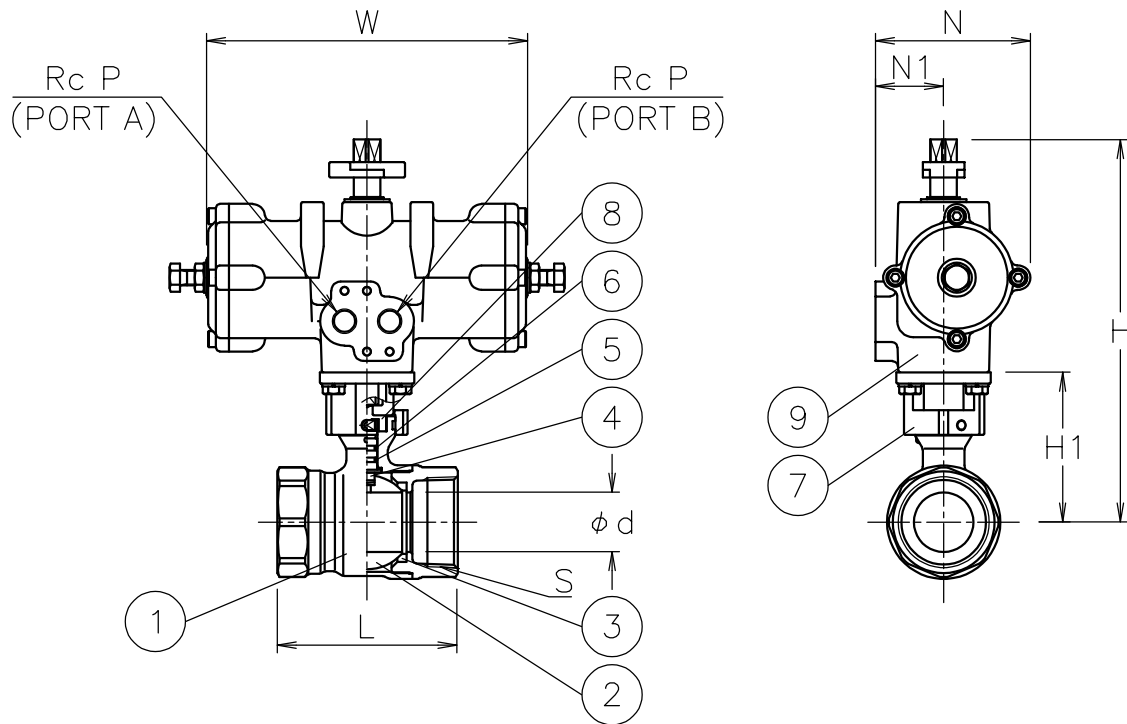



Size [mm]	S	d	L	H1	P	W	N	N1	H	Weight [kg]	Cv	Actuator	Sizing code
15	Rc 1/2	13	59	44	1/8	110	57	32	134	1.4	12	TAD-040	0
				57	1/4	170	82	36	180	1.9		TAD-050	2
20	Rc 3/4	15	66	47	1/8	110	57	32	136	1.5	16	TAD-040	0
				60	1/4	170	82	36	183	2		TAD-050	2
25	Rc 1	20	78	51	1/8	110	57	32	141	1.6	28	TAD-040	0
				64	1/4	170	82	36	187	2.2		TAD-050	2
32	Rc1 1/4	25	87	61	1/8	110	57	32	151	1.8	47	TAD-040	0
				74	1/4	170	82	36	197	2.4		TAD-050	2
40	Rc1 1/2	32	96	80	1/4	170	82	36	203	2.7	83	TAD-050	0
50	Rc 2	38	109	86	1/4	170	82	36	209	3.3	115	TAD-050	0



**NOTE**

- 1) Air supply: 0.4 to 0.5 Mpa. Max 0.7 Mpa.
- 2) Actuator operation  
Air to port A: SHUT  
Air to port B: OPEN

9	Actuator		1	TAD
8	Joint	SUS304	1	
7	Bracket	ZDC2	1	
6	O-ring	NBR	1	
5	O-ring	FKM	1	
4	Stem	Dezincification resistance brass	1	
3	Seat	F-PTFE	2	
2	Ball	C3604BD/C3771BE	1	Plated
1	Body	C3771BE	1	Plated
No	DESCRIPTION	MATERIALS	REQ'D	REMARKS

			APPR'D	H.F	TITLE	Threaded End Rc (double-acting type) E type pneumatic actuated ball valve					
			CHK'D	K.Y							
			DESIGN		MODEL	TADE-9*5YYF					
			DRAWN	S.O							
MARK	DATE	BY	DATE	'23-07-04	SCALE	NON	DWG No.	E-9*5YYF-TA3-EN			
REVISIONS			 <b>NIPPON VALVE CONTROLS, INC.</b>								
MV-3019											