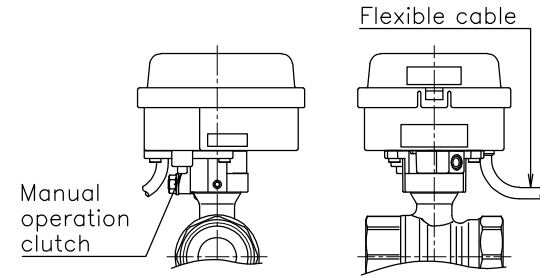
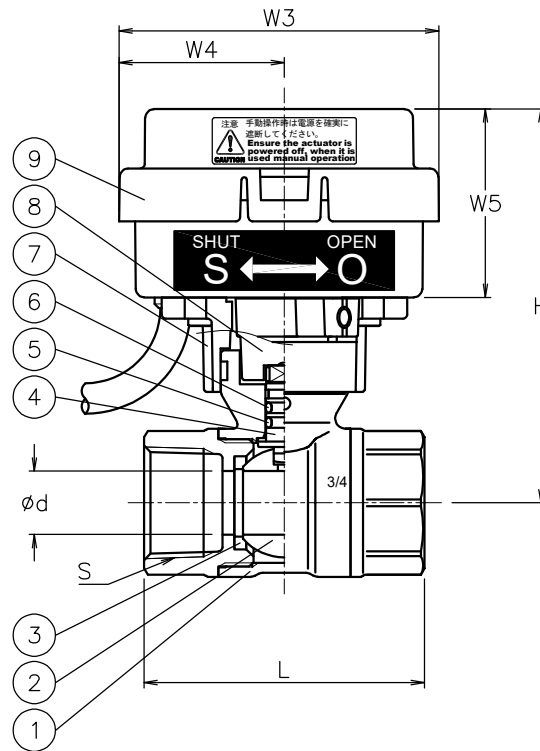
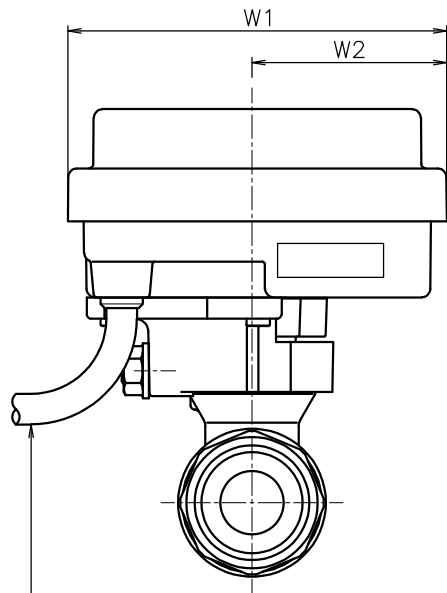


Size [mm]	S	d	L	W1	W2	W3	W4	W5	H	Weight [kg]	Cv	Actuator	Sizing code
15 A	Rc 1/2	13	59	90	46	76	39	44.5	91	0.7	12	CMX-030	0
				105	55	96	48	61	111	1.1		CMX-070	2
20 A	Rc 3/4	15	66	90	46	76	39	44.5	93	0.8	16	CMX-030	0
				105	55	96	48	61	114	1.2		CMX-070	2
25 A	Rc 1	20	78	90	46	76	39	44.5	98	1	28	CMX-030	0
				105	55	96	48	61	118	1.3		CMX-070	2
32 A	Rc1 1/4	25	87	105	55	96	48	61	128	1.5	47	CMX-070	0
40 A	Rc1 1/2	32	96	105	55	96	48	61	134	1.9	83	CMX-070	0



Flexible cable
4 leads 0.5 mm² L=500 mm

- CMXE-*25YYF-015
- CMXE-*25YYF-020
- CMXE-*25YYF-025
- CMXE-*25YYF-032
- CMXE-*25YYF-040

No	DESCRIPTION	MATERIALS	REQ'D	REMARKS
9	Actuator	PC Case	1	
8	Joint	PPS	1	
7	Bracket	PPS	1	
6	O-ring	NBR	1	
5	O-ring	FKM	1	
4	Stem	Dezincification resistant brass	1	
3	Seat	F-PTFE	2	
2	Ball	C3771BE	1	PLTD 32~40
		C3604BD	1	PLTD 15~25
1	Body	C3771BE	1	PLTD

NOTE

For manual operation on CMX-070, press the clutch button while operating it.

			APPR'D	K.Y.	TITLE	Threaded End Rc E type motorized control valve								
			CHK'D	K.Y.		MODEL	CMXE-**5YYF							
			DESIGN		MARK		DATE	BY	DATE	'24-09-18	SCALE	NON	DWG No.	E-*5YYF-MX5-EN
			DRAWN	P.O.										
REVISIONS														
MV-3081														