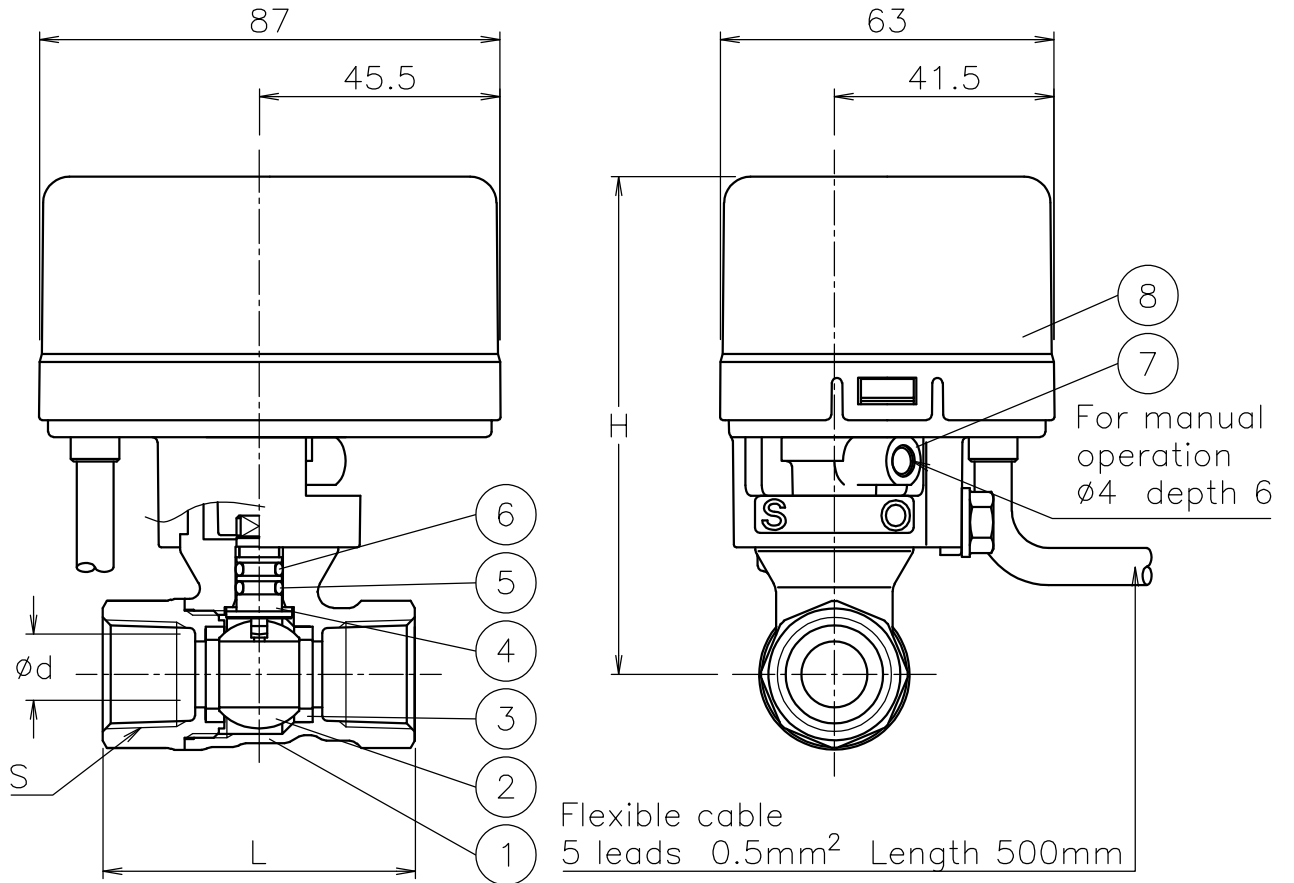



Valve DN	S	d	L	H	Weight (kg)	Cv	Actuator	Sizing code
15 A	Rc 1/2	13	59	94	0.7	12	CA1-015	0



8	Actuator	ADC12/PC Cover	1	
7	Joint	PPS	1	
6	O-ring	NBR	1	
5	O-ring	FKM	1	
4	Stem	Dezincification resistance brass	1	
3	Seat	F-PTFE	2	
2	Ball	C3604BD	1	PLTD
1	Body	C3771BE	1	PLTD
No	DESCRIPTION	MATERIALS	REQ'D	REMARKS

			APPR'D	H.F	TITLE	Threaded End Rc Valve DN: 15 A		
			CHK'D	K.Y		E type motorized ball valve		
			DESIGN		MODEL	CA1E-*05YYF		
			DRAWN	P.O				
MARK	DATE	BY	DATE	'16-04-18	SCALE	NON	DWG No.	E-05YYF-CA3-EN
REVISIONS			 NIPPON VALVE CONTROLS, INC.					
MV-2494								