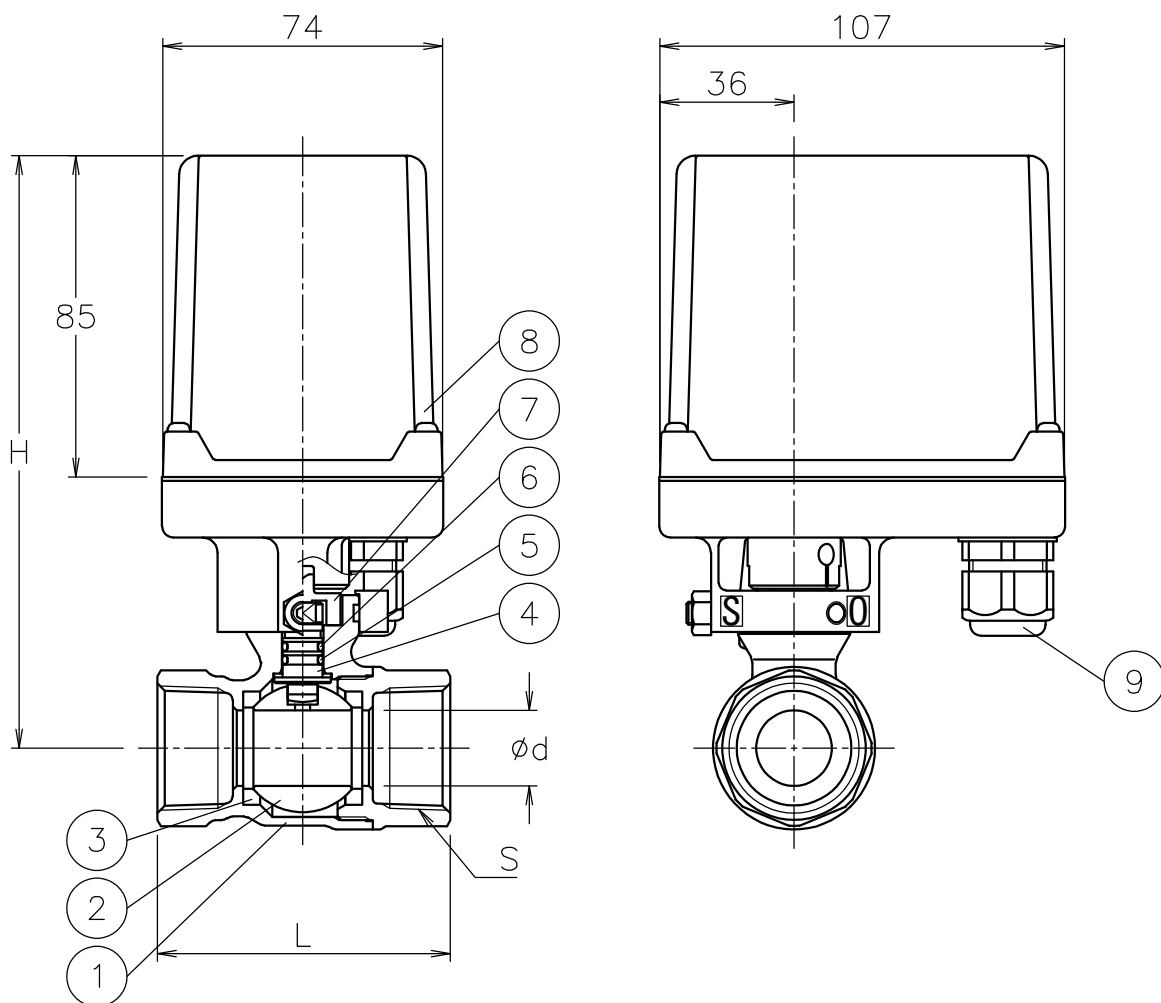



Valve DN	S	d	L	H	Weight (kg)	Cv	Actuator	Sizing code
15 A	Rc 1/2	13	59	150	1.2	12	ACR-030	0
20 A	Rc 3/4	15	66	153	1.3	16	ACR-030	0
25 A	Rc 1	20	78	157	1.5	28	ACR-030	0



NOTE  
(a) Cable acceptance  $\phi 5 \sim 10.5\text{mm}$

9	Cable gland	NYLON 6	1	G 3/8 (a)
8	Actuator	ADC12/PC Cover	1	
7	Joint	SUS304	1	
6	O-ring	NBR	1	
5	O-ring	FKM	1	
4	Stem	Dezincification resistance brass	1	
3	Seat	F-PTFE	2	
2	Ball	C3604BD/C3771BE	1	PLTD
1	Body	C3771BE	1	PLTD
No	DESCRIPTION	MATERIALS	REQ'D	REMARKS

			APPR'D	H.F	TITLE	Threaded End Rc Valve DN: 15~25 A E type electric emergency shut off ball valve				
			CHK'D	K.Y		MODEL	ACRE-205YYF			
			DESIGN		MARK		DATE	BY	DATE	'16-04-19
			DRAWN	P.O			SCALE	NON	DWG No.	E-05YYF-AC1-EN
REVISIONS			 <b>NIPPON VALVE CONTROLS, INC.</b>							
MV-2203										