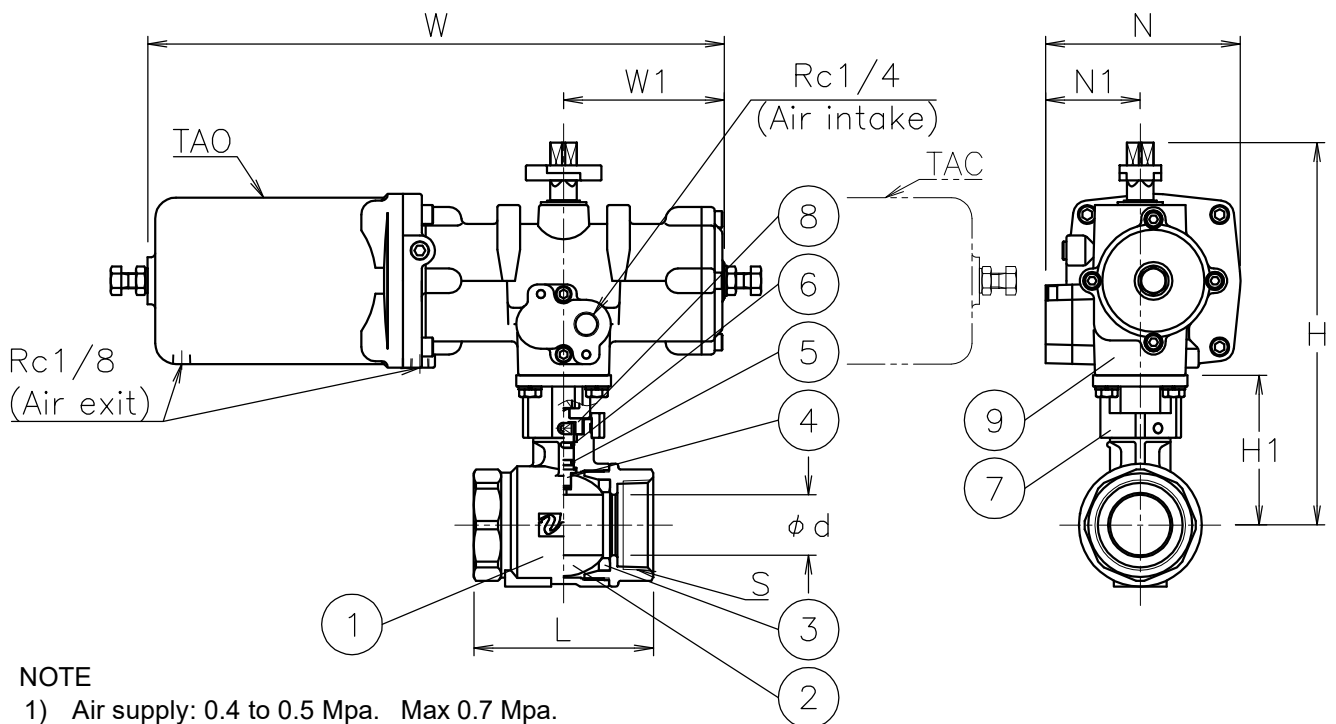


Size [mm]	S	d	L	H1	W	W1	N	N1	H	Weight [kg]	Cv	Actuator		Sizing code
8	Rc 1/4	8.5	46	39	249	55	92	46	129	2.8	5	TAO-040	TAC-040	0
10	Rc 3/8	9.2	46	39	249	55	92	46	129	2.8	5	TAO-040	TAC-040	0
15	Rc 1/2	13	59	42	249	55	92	46	131	2.9	12	TAO-040	TAC-040	0
				55	305	85	103	50	178	3.8		TAO-050	TAC-050	2
20	Rc 3/4	16	66	44	249	55	92	46	134	3	16	TAO-040	TAC-040	0
				57	305	85	103	50	180	3.9		TAO-050	TAC-050	2
25	Rc 1	20	78	51	249	55	92	46	140	3.2	28	TAO-040	TAC-040	0
				63	305	85	103	50	186	4.1		TAO-050	TAC-050	2
32	Rc1 1/4	25	87	61	249	55	92	46	151	3.5	47	TAO-040	TAC-040	0
				74	305	85	103	50	197	4.5		TAO-050	TAC-050	2
40	Rc1 1/2	32	95	80	305	85	103	50	203	4.9	83	TAO-050	TAC-050	0
50	Rc 2	39	109	86	305	85	103	50	209	5.4	123	TAO-050	TAC-050	0

*This drawing: TAO.

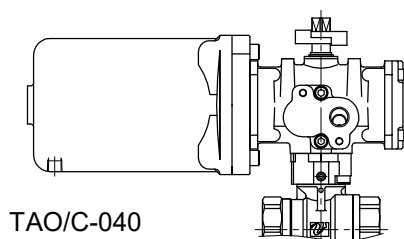


NOTE

- 1) Air supply: 0.4 to 0.5 Mpa. Max 0.7 Mpa.
- 2) Actuator operation

	Air to intake port	Spring return
TAO	OPEN	SHUT
TAC	SHUT	OPEN

*Only as for TAC-040, a cylinder direction becomes the same as TAO.



9	Actuator		1	TAO/C
8	Joint	SUS304	1	
7	Bracket	ZDC2	1	
6	O-ring	NBR	1	
5	O-ring	FKM	1	
4	Stem	SUS316	1	Cr plated
3	Seat	PTFE	2	
2	Ball	SUS316/SCS14A	1	
1	Body	SCS14A	1	
No	DESCRIPTION	MATERIALS	REQ'D	REMARKS

			APPR'D	H.F	TITLE	Threaded End Rc (single-acting type) E type pneumatic actuated ball valve				
			CHK'D	K.Y		MODEL	TAOE-9*5UUT TACE-9*5UUT			
			DESIGN		MARK		DATE	BY	DATE	'19-05-21
			DRAWN	S.O			SCALE	NON	DWG No.	E-9*5UUT-TD7-EN
REVISIONS										
MV-2778										