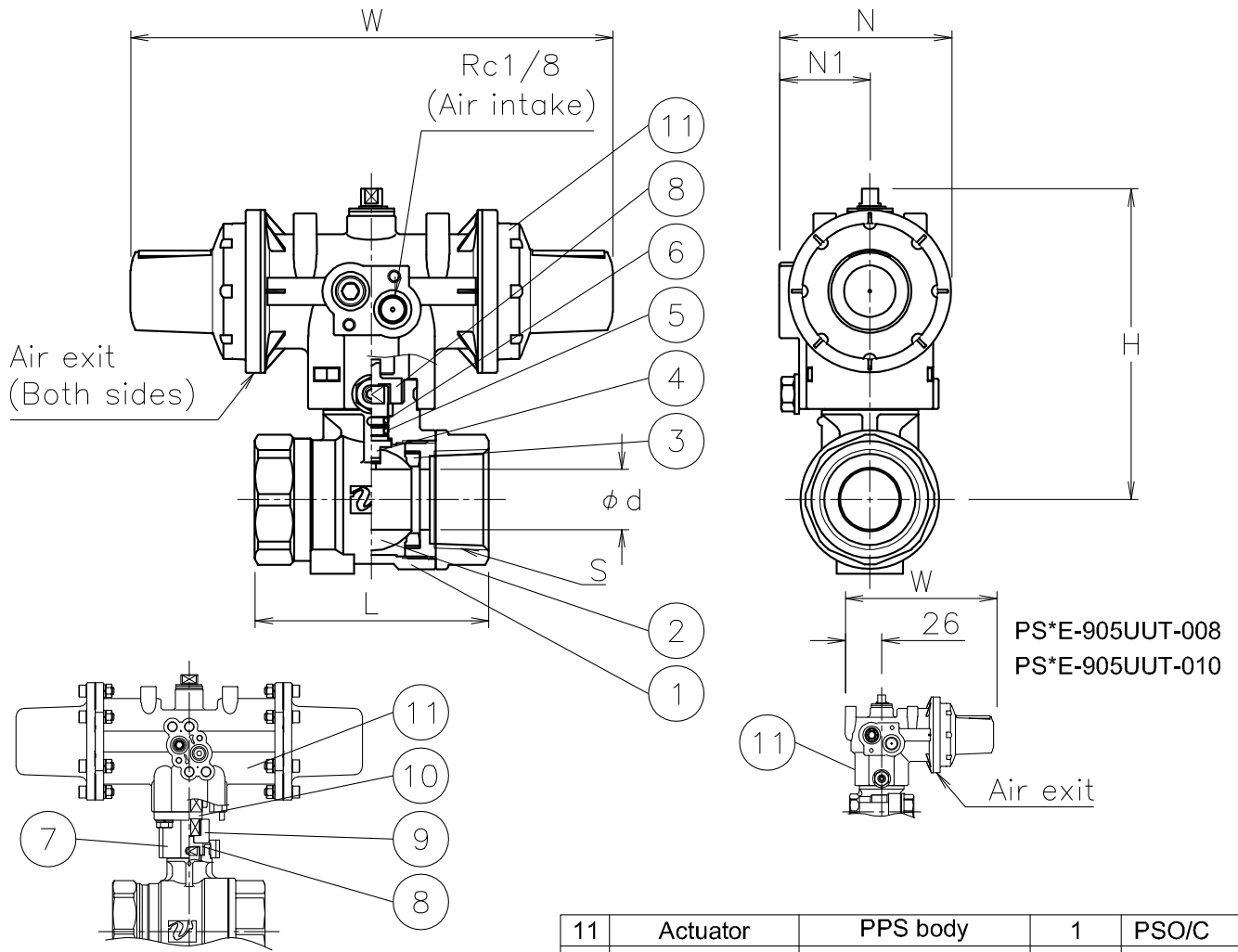


Size [mm]	S	d	L	W	N	N1	H	Weight [kg]	Cv	Actuator		Sizing code
8	Rc 1/4	8.5	46	106	57	30	84	0.6	5	PSO-03S	PSC-03S	0
10	Rc 3/8	9.2	46	106	57	30	84	0.5	5	PSO-03S	PSC-03S	0
15	Rc 1/2	13	59	160	57	30	95	0.8	12	PSO-03D	PSC-03D	0
20	Rc 3/4	16	66	160	57	30	97	0.9	16	PSO-03D	PSC-03D	0
25	Rc 1	20	78	160	57	30	103	1.1	28	PSO-03D	PSC-03D	0
32	Rc1 1/4	25	87	185	68	36	131	1.7	47	PSO-04D	PSC-04D	0
40	Rc1 1/2	32	95	185	68	36	136	2	83	PSO-04D	PSC-04D	0
50	Rc 2	39	109	247	82	44	183	3.4	123	PSO-05D	PSC-05D	0



PS*E-905UUT-050

NOTE

- 1) Air supply: 0.4 to 0.5 Mpa. Max 0.7 Mpa.
- 2) Actuator operation

	Air to intake port	Spring return
PSO	OPEN	SHUT
PSC	SHUT	OPEN

11	Actuator	PPS body	1	PSO/C
10	Joint	SUS304	1	
9	Joint	ZDC2	1	
8	Joint	SUS304	1	
7	Bracket	ZDC2	1	
6	O-ring	NBR	1	
5	O-ring	FKM	1	
4	Stem	SUS316	1	Cr plated
3	Seat	PTFE	2	
2	Ball	SUS316/SCS14A	1	
1	Body	SCS14A	1	
No	DESCRIPTION	MATERIALS	REQ'D	REMARKS

			APPR'D	K.Y	TITLE	Threaded End Rc (single-acting type) E type pneumatic actuated ball valve					
			CHK'D	K.Y							
			DESIGN		MODEL	PSOE-905UUT PSCE-905UUT					
			DRAWN	T.A							
MARK	DATE	BY	DATE	'22-12-07	SCALE	NON	DWG No.	E-905UUT-DA1-EN			
REVISIONS			NIPPON VALVE CONTROLS, INC.								
MV-2987											