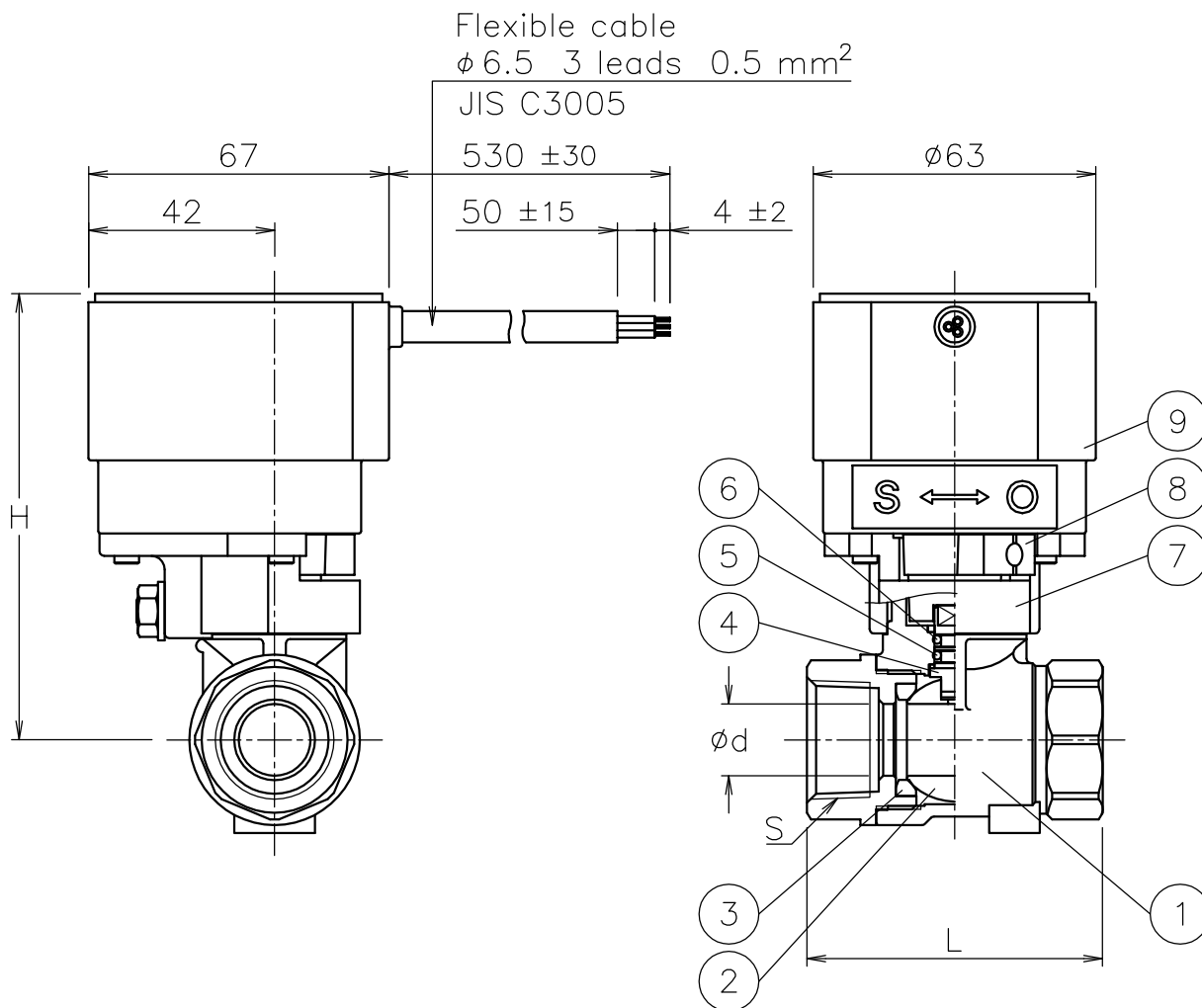



Size [mm]	S	d	L	H	Weight [kg]	Cv	Actuator	Sizing code
8	Rc 1/4	8.5	46	95	0.7	5	PM1-030	0
10	Rc 3/8	9.2	46	95	0.7	5	PM1-030	0
15	Rc 1/2	13	59	97	0.7	12	PM1-030	0
20	Rc 3/4	16	66	100	0.8	16	PM1-030	0
25	Rc 1	20	78	106	1	28	PM1-030	0



9	Actuator	PC Case	1	
8	Joint	PPS	1	
7	Bracket	PPS	1	
6	O-ring	NBR	1	
5	O-ring	FKM	1	
4	Stem	SUS316	1	Cr plated
3	Seat	PTFE	2	
2	Ball	SUS316/SCS14A	1	
1	Body	SCS14A	1	
No	DESCRIPTION	MATERIALS	REQ'D	REMARKS

			APPR'D	H.F	TITLE	Threaded End Rc E type motorized ball valve					
			CHK'D	K.Y							
			DESIGN		MODEL	PM1E-*05UUT					
			DRAWN	S.O							
MARK	DATE	BY	DATE	'19-05-31	SCALE	NON	DWG No.	E-05UUT-PM13-EN			
REVISIONS			 NIPPON VALVE CONTROLS, INC.								
MV-2778											