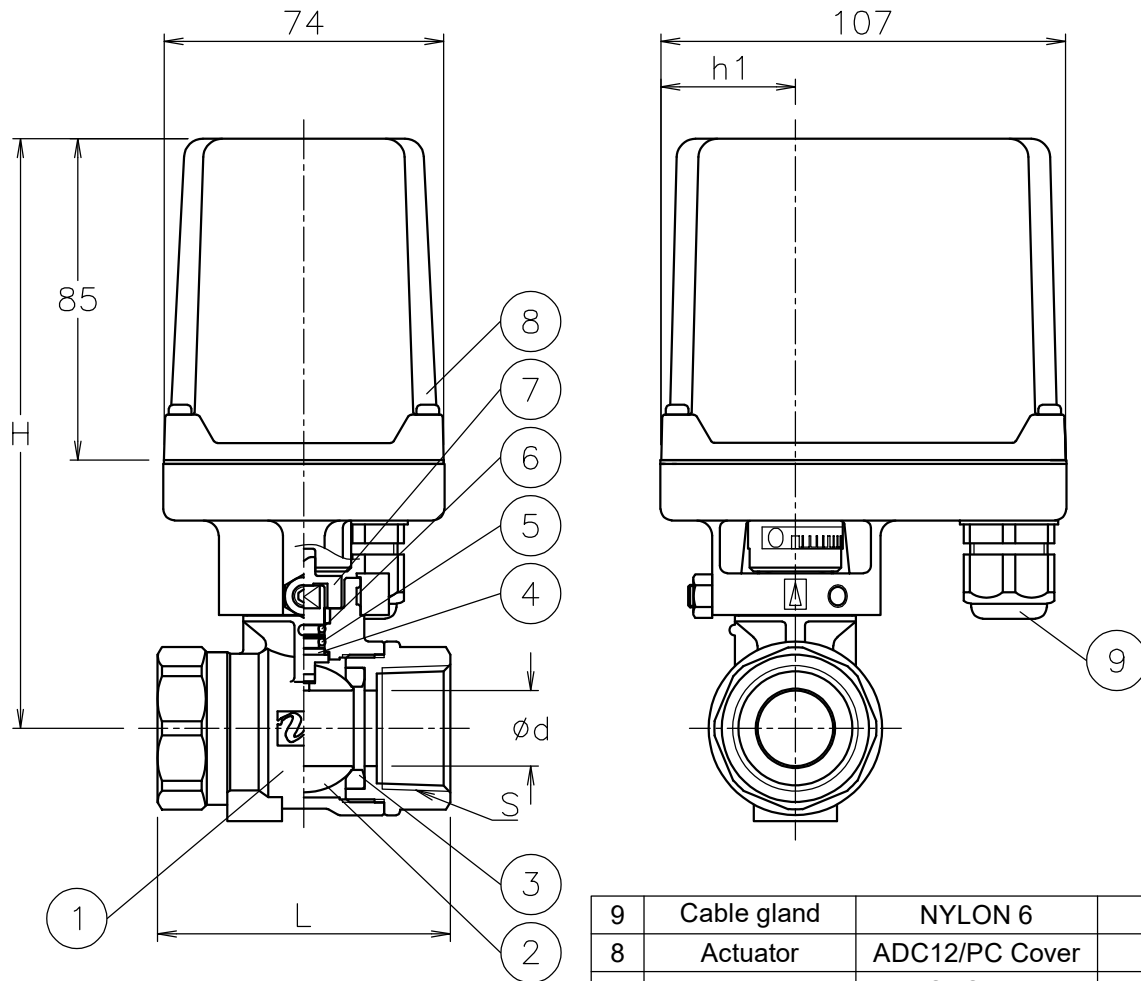



Size [mm]	S	d	L	h1	H	Weight [kg]	Cv	Actuator	Sizing code
8	Rc 1/4	8.5	46	36	145	1.6	5	PAX-050	0
10	Rc 3/8	9.2	46	36	145	1.5	5	PAX-050	0
15	Rc 1/2	13	59	36	148	1.6	12	PAX-050	0
				53	162	1.8		PAX-120	2
20	Rc 3/4	16	66	36	150	1.7	16	PAX-050	0
				53	164	1.9		PAX-120	2
25	Rc 1	20	78	36	156	1.9	28	PAX-050	0
				53	170	2.1		PAX-120	2
32	Rc1 1/4	25	87	53	181	2.5	47	PAX-120	0
40	Rc1 1/2	32	95	53	187	2.8	83	PAX-120	0
50	Rc 2	39	109	53	193	3.4	123	PAX-120	0



NOTE
(a) Cable acceptance 5φ to 10.5φ mm.

9	Cable gland	NYLON 6	1	G 3/8 (a)
8	Actuator	ADC12/PC Cover	1	
7	Joint	SUS304	1	
6	O-ring	NBR	1	
5	O-ring	FKM	1	
4	Stem	SUS316	1	Cr plated
3	Seat	PTFE	2	
2	Ball	SUS316/SCS14A	1	
1	Body	SCS14A	1	
No	DESCRIPTION	MATERIALS	REQ'D	REMARKS

			APPR'D	H.F	TITLE	Threaded End Rc E type motorized control ball valve				
			CHK'D	K.Y						
			DESIGN		MODEL	PAXE-**5UUT				
			DRAWN	S.O						
MARK	DATE	BY	DATE	'21-03-15	SCALE	NON	DWG No.	E-*5UUT-AX13-EN		
REVISIONS			 NIPPON VALVE CONTROLS, INC.							
MV-2890										