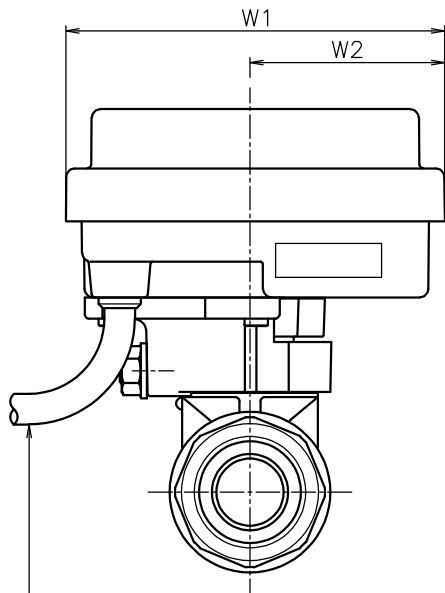
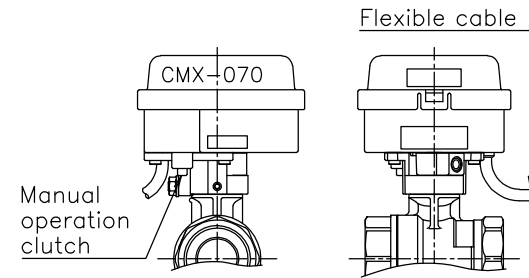
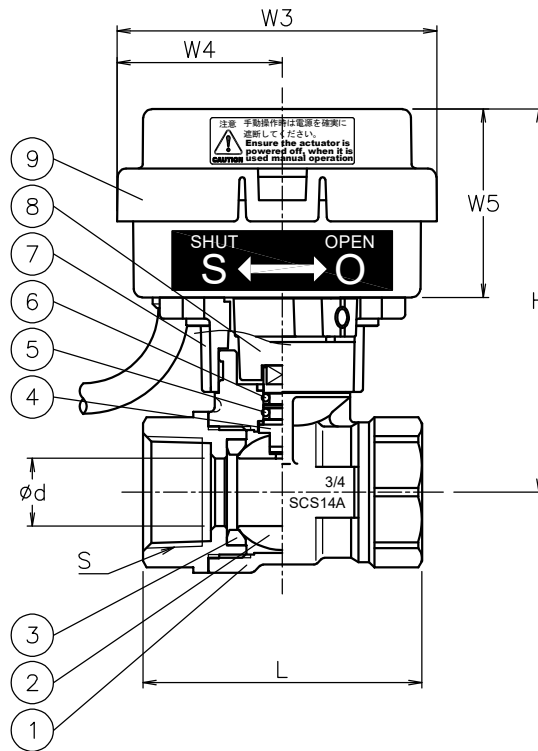


Size [mm]	S	d	L	W1	W2	W3	W4	W5	H	Weight [kg]	Cv	Actuator	Sizing code
8	Rc 1/4	8.5	46	90	46	76	39	44.5	86	0.7	5	CMX-030	0
				105	55	96	48	61	106	1		CMX-070	2
10	Rc 3/8	9.2	46	90	46	76	39	44.5	86	0.7	5	CMX-030	0
				105	55	96	48	61	106	1		CMX-070	2
15	Rc 1/2	13	59	90	46	76	39	44.5	88	0.8	12	CMX-030	0
				105	55	96	48	61	109	1.1		CMX-070	2
20	Rc 3/4	16	66	90	46	76	39	44.5	91	0.9	16	CMX-030	0
				105	55	96	48	61	111	1.2		CMX-070	2
25	Rc 1	20	78	90	46	76	39	44.5	97	1.1	28	CMX-030	0
				105	55	96	48	61	118	1.4		CMX-070	2
32	Rc1 1/4	25	87	105	55	96	48	61	128	1.7	47	CMX-070	0
40	Rc1 1/2	32	95	105	55	96	48	61	134	2.1	83	CMX-070	0



Flexible cable  
4 leads 0.5 mm<sup>2</sup> L=500 mm



- CMXE-\*25UUT-008
- CMXE-\*25UUT-010
- CMXE-\*25UUT-015
- CMXE-\*25UUT-020
- CMXE-\*25UUT-025
- CMXE-\*05UUT-032
- CMXE-\*05UUT-040

No	DESCRIPTION	MATERIALS	REQ'D	REMARKS
9	Actuator	PC Case	1	
8	Joint	PPS	1	
7	Bracket	PPS	1	
6	O-ring	NBR	1	
5	O-ring	FKM	1	
4	Stem	SUS316	1	Cr plated
3	Seat	PTFE	2	
2	Ball	SUS316/SCS14A	1	
1	Body	SCS14A	1	

NOTE  
For manual operation on CMX-070, press the clutch button while operating it.

			APPR'D	K.Y.	TITLE	Threaded End Rc E type motorized control valve								
			CHK'D	K.Y.		MODEL	CMXE-**5UUT							
			DESIGN		MARK		DATE	BY	DATE	'24-09-18	SCALE	NON	DWG No.	E-*5UUT-MX9-EN
			DRAWN	P.O.										
REVISIONS														
MV-3081														