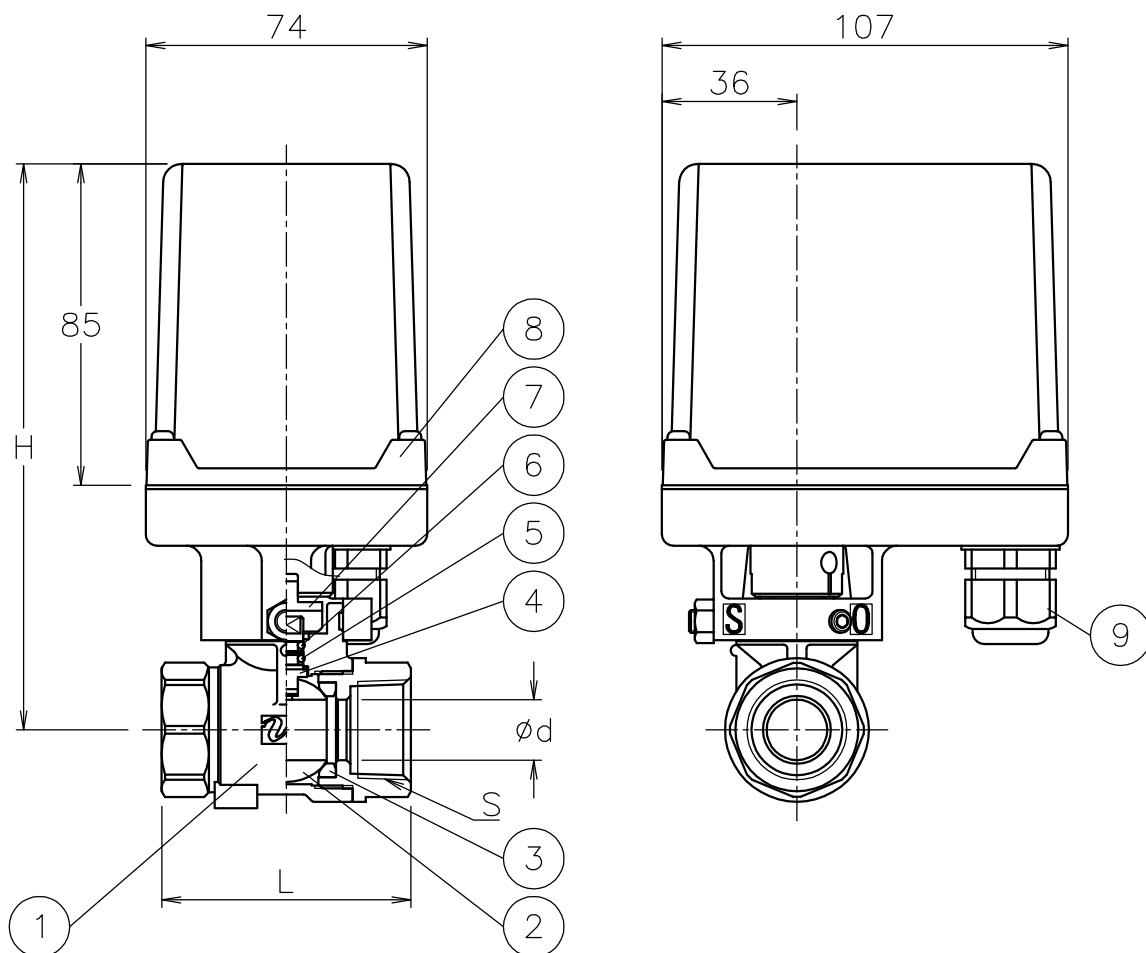



Size [mm]	S	d	L	H	Weight [kg]	Cv	Actuator	Sizing code
8	Rc 1/4	8.5	46	145	1.3	5	ACR-030	0
10	Rc 3/8	9.2	46	145	1.3	5	ACR-030	0
15	Rc 1/2	13	59	148	1.4	12	ACR-030	0
20	Rc 3/4	16	66	150	1.5	16	ACR-030	0
25	Rc 1	20	78	156	1.8	28	ACR-030	0



**NOTE**

(a) Cable acceptance 5φ to 10.5φ mm.

9	Cable gland	NYLON 6	1	G3/8 (a)
8	Actuator	ADC12/PC Cover	1	
7	Joint	SUS304	1	
6	O-ring	NBR	1	
5	O-ring	FKM	1	
4	Stem	SUS316	1	Cr plated
3	Seat	PTFE	2	
2	Ball	SUS316/SCS14A	1	
1	Body	SCS14A	1	
No	DESCRIPTION	MATERIALS	REQ'D	REMARKS

			APPR'D	H.F	TITLE	Threaded End Rc E type electric emergency shut off ball valve				
			CHK'D	K.Y						
			DESIGN		MODEL	ACRE-205UUT				
			DRAWN	S.O						
MARK	DATE	BY	DATE	'19-06-17	SCALE	NON	DWG No.	E-05UUT-AC7-EN		
REVISIONS			 <b>NIPPON VALVE CONTROLS, INC.</b>							
MV-2778										