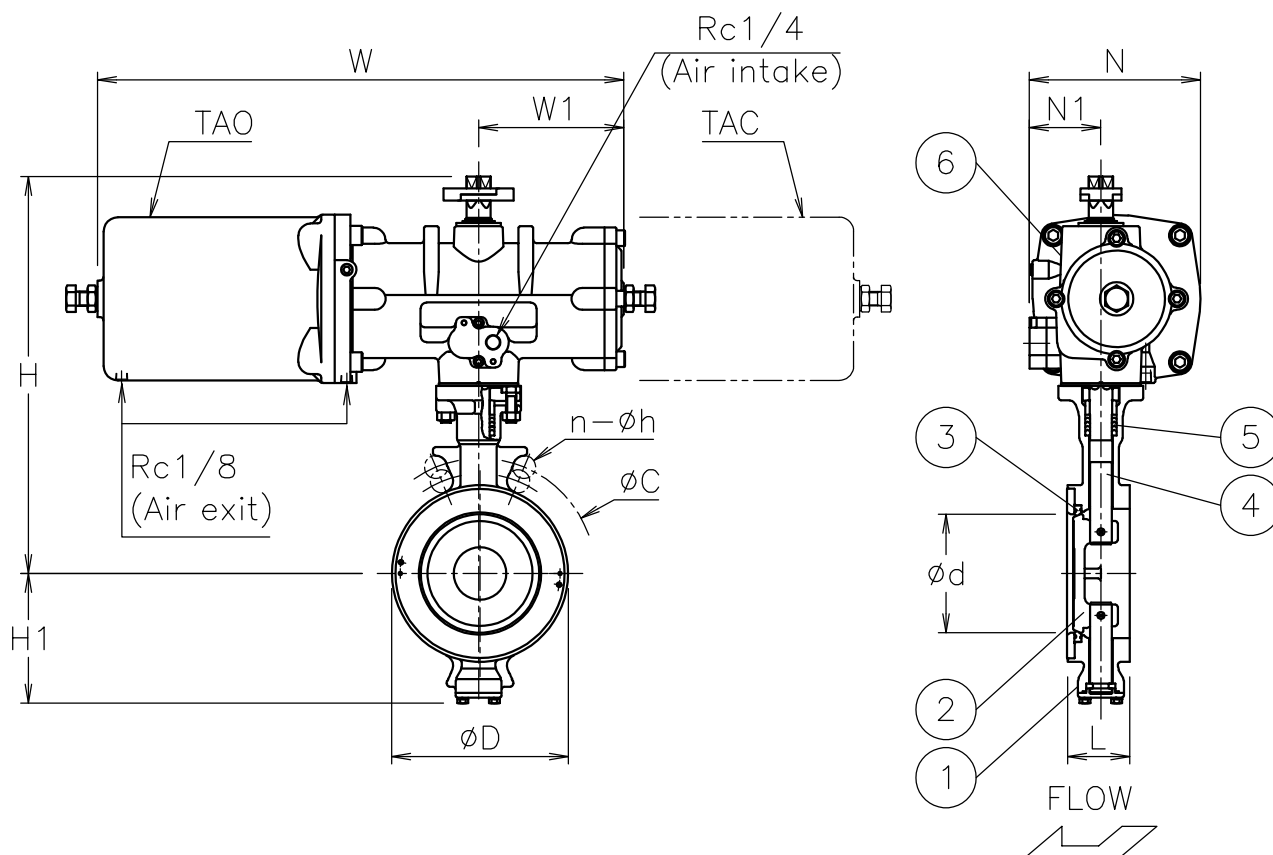


Size [mm]	d	L	D	J5K		J10K		H1	W	W1	N	N1	H	Weight [kg]	Cv	Actuator	Sizing code
				C	n-h	C	n-h										
80	78	46	126	145	4-19	150	8-19	90	367	102	119	52	265	8.1	220	TA*-063	0
100	98	52	146	165	8-19	175	8-19	107	435	120	142	59	328	14	410	TA*-080	0
125	126	56	180	200	8-19	210	8-23	129	435	120	142	59	343	16	800	TA*-080	0
									530	147	174	71	374			24	TA*-100
150	150	56	211	230	8-19	240	8-23	147	530	147	174	71	399	27	1250	TA*-100	0
200	196	60	257	280	8-23	290	12-23	189	688	183	193	74	454	43	2450	TA*-125	0
250	246	68	322	345	12-23	355	12-25	222	688	183	193	74	489	53	4250	TA*-125	0
									838	223	231	82	535			77	TA*-160
300	295	78	367	390	12-23	400	16-25	260	838	223	231	82	575	87	6750	TA*-160	0




NOTE

- 1) Air supply: 0.4 to 0.5 Mpa. Max 0.7 Mpa.
- 2) Actuator operation

	Air to intake port	Spring return
TAO	OPEN	SHUT
TAC	SHUT	OPEN

* This drawing is TAO.

6	Actuator		1	TAO/C
5	Packing	PTFE	1	
4	Stem	SUS304	1	
3	Seat	F-PTFE	1	
2	Disk	SCS13A	1	
1	Body	SCS13A	1	
No	DESCRIPTION	MATERIALS	REQ'D	REMARKS

			APPR'D	H.F	TITLE	J5K/10K Flanged-end (wafer type, single-acting type) DN type pneumatic actuated butterfly valve			
			CHK'D	K.Y					
			DESIGN		MODEL	TAODN9*1TTF TACDN9*1TTF			
			DRAWN	S.O					
MARK	DATE	BY	DATE	'20-10-19	SCALE	NON	DWG No.	DN-9*1TTF-TD7-EN	
REVISIONS			 NIPPON VALVE CONTROLS, INC.						
MV-2863									