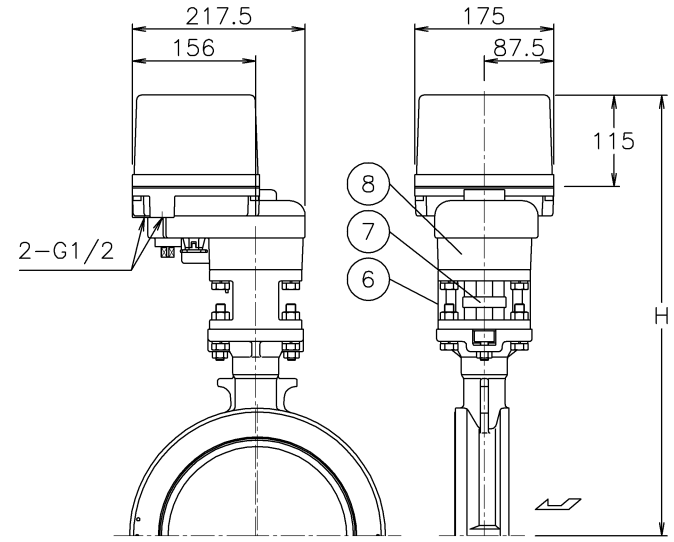
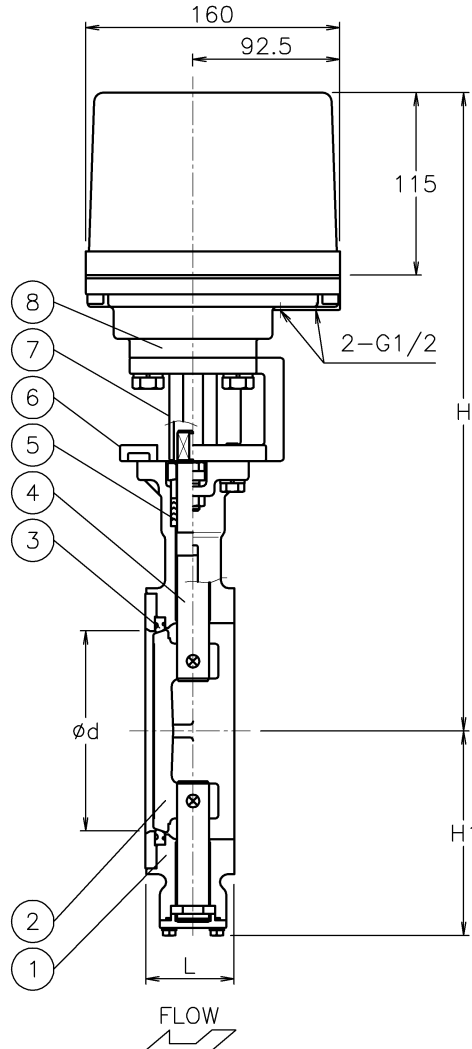
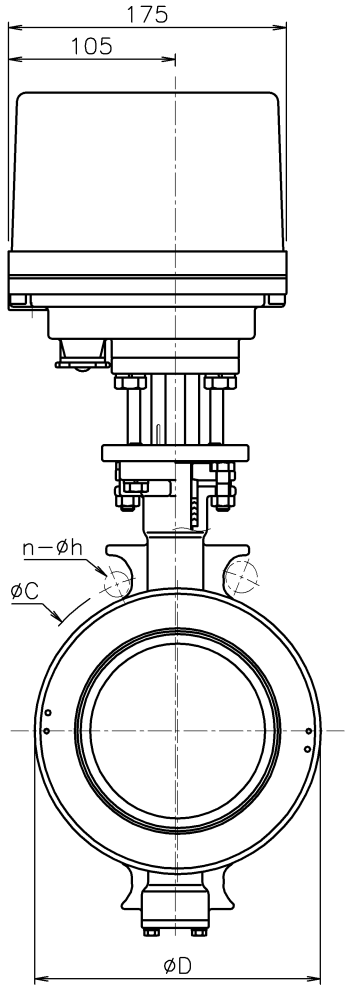


Size [mm]	d	L	D	J5K		J10K		H1	H	Weight [kg]	Cv	Actuator			Sizing code
				C	n-h	C	n-h					PHX-300	PHR-300	PDX-300	
80	78	46	126	145	4-19	150	8-19	90	357	9.8	220	PHX-300	PHR-300	PDX-300	0
														10	PHX-700
100	98	52	146	165	8-19	175	8-19	107	387	12	410	PHX-700	PHR-700	PDX-700	0
125	126	56	180	200	8-19	210	8-23	129	402	14	800	PHX-700	PHR-700	PDX-700	0
150	150	56	211	230	8-19	240	8-23	147	449	19	1250	PHX-02K	PHR-02K	PDX-02K	0
200	196	60	257	280	8-23	290	12-23	189	479	24	2450	PHX-02K	PHR-02K	PDX-02K	0
250	246	68	322	345	12-23	355	12-25	222	555	40	4250	PHX-06K	PHR-06K	PDX-06K	0
300	295	78	367	390	12-23	400	16-25	260	595	50	6750	PHX-06K	PHR-06K	PDX-06K	0



PHX (PHR, PDX) DN*01TTF-250
 PHX (PHR, PDX) DN*01TTF-300

NOTE
 Actuator material: Aluminum alloy diecast cover.
 Attachment
 Cable gland (nylon), G 1/2, for 6φ to 12φ cable.
 Plug.

No	DESCRIPTION	MATERIALS	REQ'D	REMARKS
8	Actuator		1	
7	Joint	SCS13A	1	
6	Bracket	SCS13A	1	
5	Packing	PTFE	1	
4	Stem	SUS304	1	
3	Seat	F-PTFE	1	
2	Disc	SCS13A	1	
1	Body	SCS13A	1	

MARK	DATE	BY	DATE	SCALE	NON	DWG No.	DN-*1TTF-PX2-EN