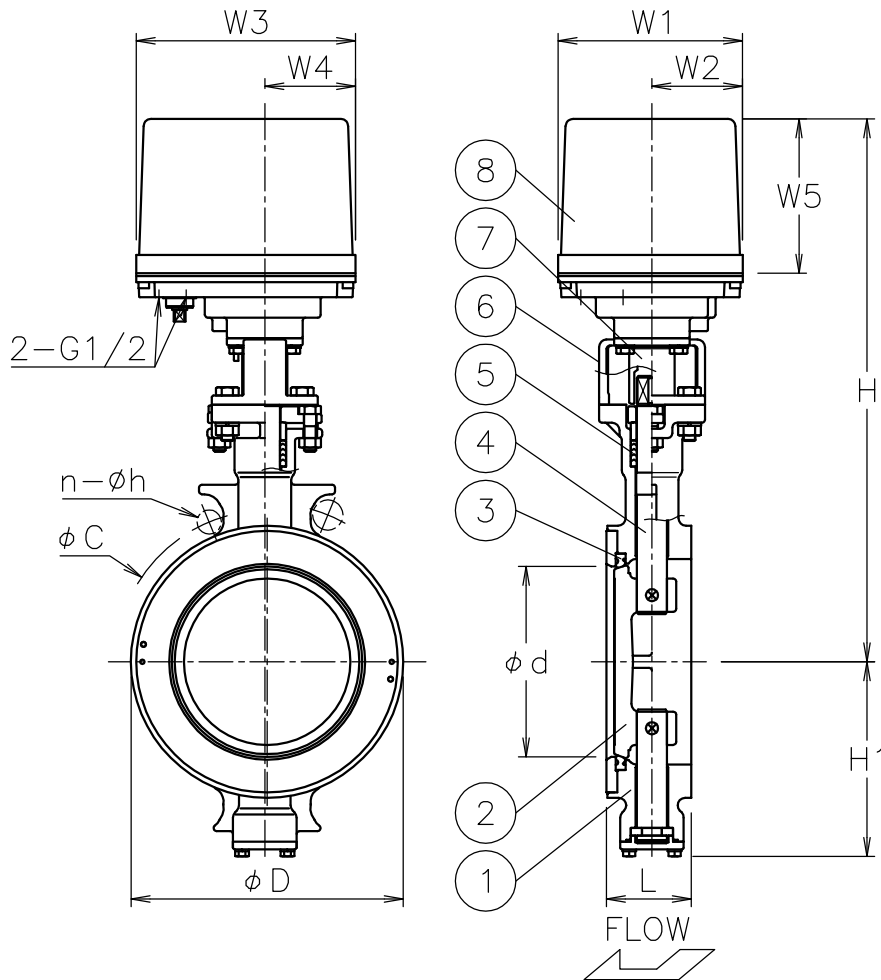


Size [mm]	d	L	D	J5K		J10K		H1	W1	W2	W3	W4	W5	H	Weight [kg]	Cv	Actuator	Sizing code
				C	n-h	C	n-h											
80	78	46	126	145	4-19	150	8-19	90	122	60	145	60	102	290	5.9	220	AEX-360	0
									122	60	145	60	102	306			6.1	AEX-700
100	98	52	146	165	8-19	175	8-19	107	122	60	145	60	102	336	7.6	410	AEX-700	0
125	126	56	180	200	8-19	210	8-23	129	122	60	145	60	102	359	9.7	800	AEX-700	0
									160	97	175	63	115	417			15	AEX-02K
150	150	56	211	230	8-19	240	8-23	147	160	97	175	63	115	442	19	1250	AEX-02K	0
200	196	60	257	280	8-23	290	12-23	189	160	97	175	63	115	472	24	2450	AEX-02K	0
250	246	68	322	345	12-23	355	12-25	222	195	75	220	75	130	567	40	4250	AEX-06K	0
300	295	78	367	390	12-23	400	16-25	260	195	75	220	75	130	607	50	6750	AEX-06K	0



NOTE


Actuator material: Aluminum alloy diecast cover.

Attachment

Cable gland (nylon), G 1/2, for 6φ to 12φ cable.

Plug.

8	Actuator		1	
7	Joint	SUS304/SCS13A	1	
6	Bracket	SCS13A	1	
5	Packing	PTFE	1	
4	Stem	SUS304	1	
3	Seat	F-PTFE	1	
2	Disc	SCS13A	1	
1	Body	SCS13A	1	
No	DESCRIPTION	MATERIALS	REQ'D	REMARKS

			APPR'D	H.F	TITLE	J5K/10K Flanged-end (Wafer type) DN type electric actuated control valve			
			CHK'D	K.Y					
			DESIGN		MODEL	AEXDN**1TTF			
			DRAWN	S.O					
MARK	DATE	BY	DATE	'17-04-13	SCALE	NON	DWG No.	DN-*1TTF-EX4-EN	
REVISIONS			 NIPPON VALVE CONTROLS, INC.						
MV-2608									