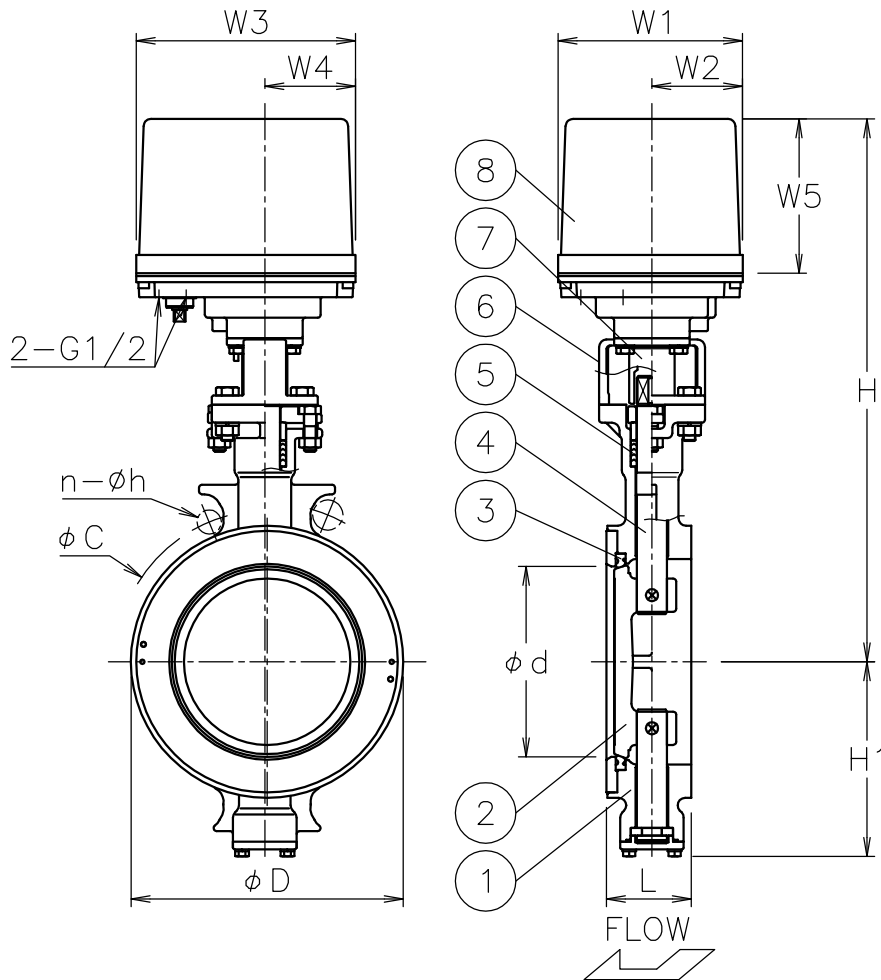


Size [mm]	d	L	D	J5K		J10K		H1	W1	W2	W3	W4	W5	H	Weight [kg]	Cv	Actuator	Sizing code
				C	n-h	C	n-h											
80	78	46	126	145	4-19	150	8-19	90	122	60	145	60	102	290	6.3	220	AE*-300	0
				122	60	145	60		102	306	6.3	AE*-600	2					
100	98	52	146	165	8-19	175	8-19	107	122	60	145	60	102	336	7.8	410	AE*-600	0
125	126	56	180	200	8-19	210	8-23	129	122	60	145	60	102	359	9.9	800	AE*-600	0
				160	97	175	63		115	417	16	AE*-02K	2					
150	150	56	211	230	8-19	240	8-23	147	160	97	175	63	115	442	19	1250	AE*-02K	0
200	196	60	257	280	8-23	290	12-23	189	160	97	175	63	115	472	25	2450	AE*-02K	0
250	246	68	322	345	12-23	355	12-25	222	195	75	220	75	130	567	41	4250	AE*-06K	0
300	295	78	367	390	12-23	400	16-25	260	195	75	220	75	130	607	51	6750	AE*-06K	0




NOTE

Actuator material: Aluminum alloy diecast cover.

ATTACHMENT

Cable gland (nylon), G1/2, for 6φ to 12φ cable.
Plug.

8	Actuator		1	
7	Joint	SUS304/SCS13A	1	
6	Bracket	SCS13A	1	
5	Packing	PTFE	1	
4	Stem	SUS304	1	
3	Seat	F-PTFE	1	
2	Disc	SCS13A	1	
1	Body	SCS13A	1	
No	DESCRIPTION	MATERIALS	REQ'D	REMARKS

			APPR'D	H.F	TITLE	J5K/10K Flanged-end (Wafer type) DN type electric actuated butterfly valve				
			CHK'D	K.Y						
			DESIGN		MODEL	AE1DN**1TTF AE2DN**1TTF				
			DRAWN	S.O						
MARK	DATE	BY	DATE	'17-12-08	SCALE	NON	DWG No.	DN-*1TTF-AE6-EN		
REVISIONS			 NIPPON VALVE CONTROLS, INC.							
MV-2674										