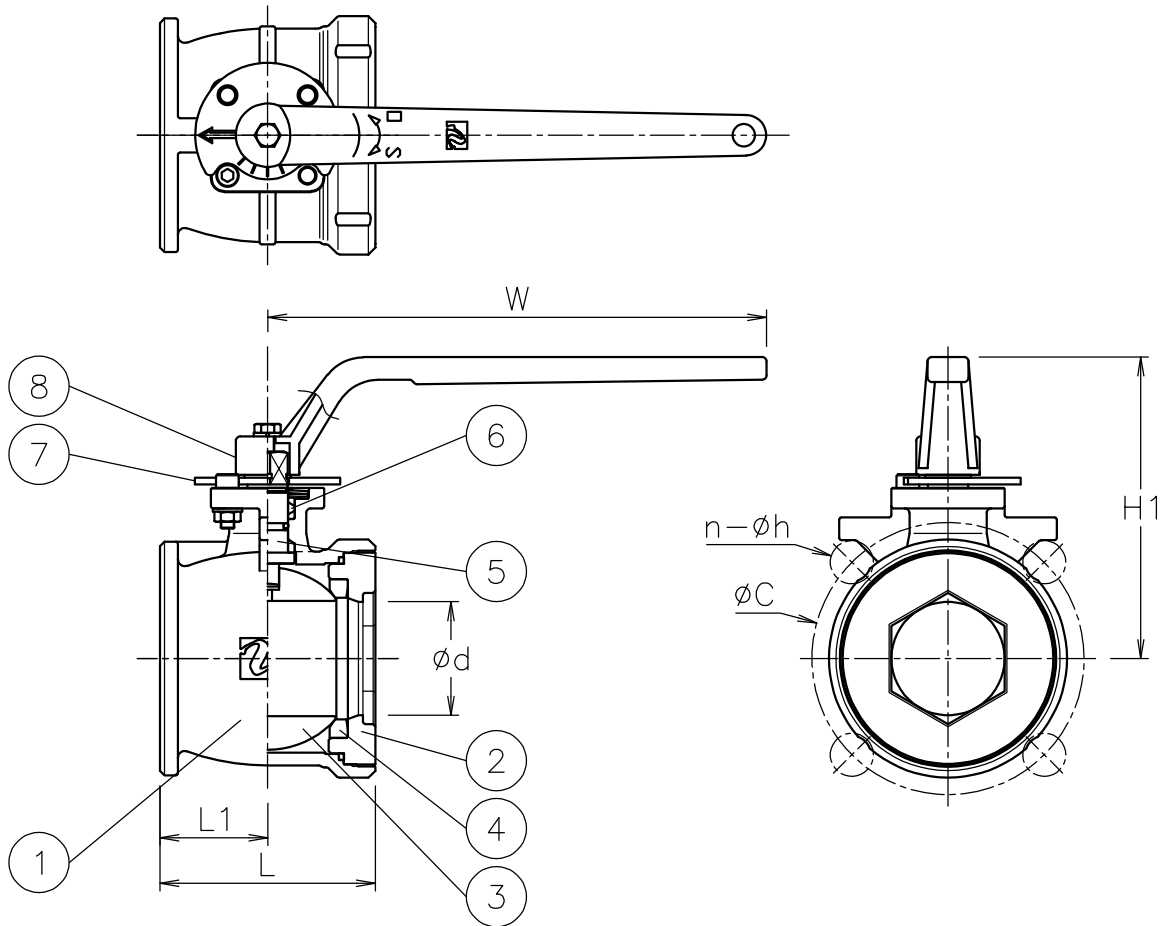



Size [mm]	d	L	L1	C	n-h	W	H1	Weight [kg]	Actuator
15	15	40	20	70	4-15	115	82	0.8	Lever
20	20	50	25	75	4-15	115	85	1	Lever
25	25	60	30	90	4-19	145	102	1.5	Lever
32	32	70	35	100	4-19	145	108	2	Lever
40	38	80	40	105	4-19	220	124	2.9	Lever
50	50	95	47.5	120	4-19	220	133	4.3	Lever
65	65	110	55	140	4-19	320	159	7.3	Lever
80	74	125	62.5	150	8-19	320	166	9.1	Lever



**NOTE**

(a) Lever handle is removed and shipped.

8	Lever handle	SCS13A	1	(a)
7	Position indicator	SUS304	1	
6	Packing	R-PTFE	1set	
5	Stem	SUS316	1	
4	Seat	R-PTFE	2	
3	Ball	SCS14A	1	
2	Cap	SCS14A	1	
1	Body	SCS14A	1	
No	DESCRIPTION	MATERIALS	REQ'D	REMARKS

			APPR'D	H.F	TITLE	J10K Flanged-end, Wafer BS type ball valve				
			CHK'D	K.Y						
			DESIGN		MODEL	MAXBSL-1UUG				
			DRAWN	S.O						
MARK	DATE	BY	DATE	'21-01-22	SCALE	NON	DWG No.	BS-1UUG-L-MA4-EN		
REVISIONS			 <b>NIPPON VALVE CONTROLS, INC.</b>							
MV-2880										