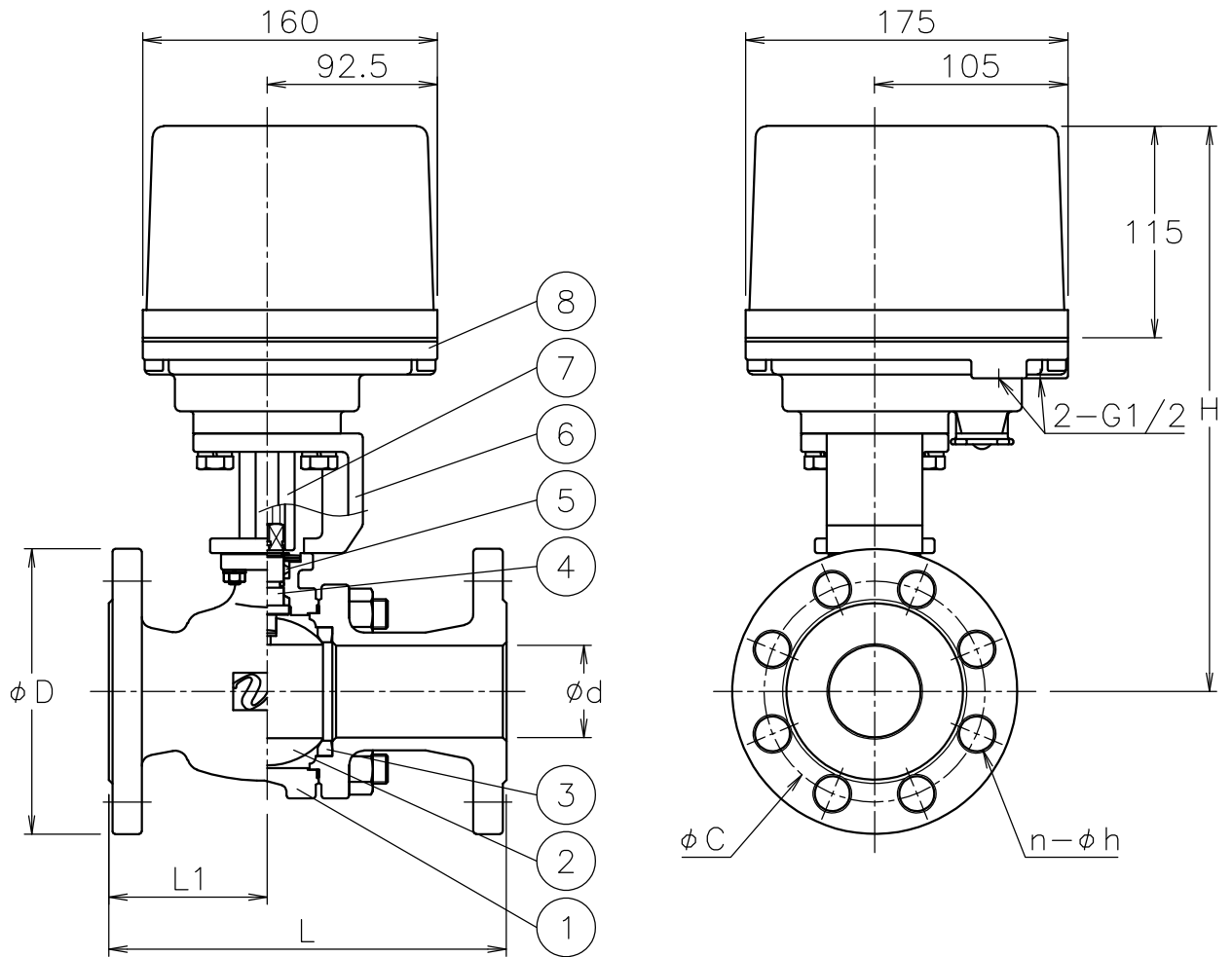



Size [mm]	d	L	L1	D	C	n-h	H	Weight [kg]	Actuator			Sizing code
15	15	140	60	95	70	4-15	274	8.9	AD1-300	AD2-300	AD0-300	0
20	20	152	64	100	75	4-15	277	9.5	AD1-300	AD2-300	AD0-300	0
25	25	165	69	125	90	4-19	284	12	AD1-300	AD2-300	AD0-300	0
40	40	190	79	140	105	4-19	299	14	AD1-300	AD2-300	AD0-300	0
							299	15	AD1-700	AD2-700	AD0-700	2
50	50	216	86	155	120	8-19	308	17	AD1-700	AD2-700	AD0-700	0
65	65	241	110	175	140	8-19	340	22	AD1-700	AD2-700	AD0-700	0



NOTE
ATTACHMENT
Cable gland (nylon), G 1/2, for 6φ to 12φ cable.
Plug.

8	Actuator		1	
7	Joint	SCS13A	1	
6	Bracket	SCS13A	1	
5	Packing	R-PTFE	1set	
4	Stem	SUS304	1	
3	Seat	R-PTFE	2	
2	Ball	SCS13A	1	
1	Body	SCS13A	1	
No	DESCRIPTION	MATERIALS	REQ'D	REMARKS

			APPR'D	H.F	TITLE	J20K Flanged-end BR type electric actuated ball valve			
			CHK'D	K.Y					
			DESIGN		MODEL	AD1BR**3TTG AD0BR0*3TTG AD2BR**3TTG			
			DRAWN	S.O					
MARK	DATE	BY	DATE	'20-08-07	SCALE	NON	DWG No.	BR-*3TTG-AD4-EN	
REVISIONS			 NIPPON VALVE CONTROLS, INC.						
MV-2850									