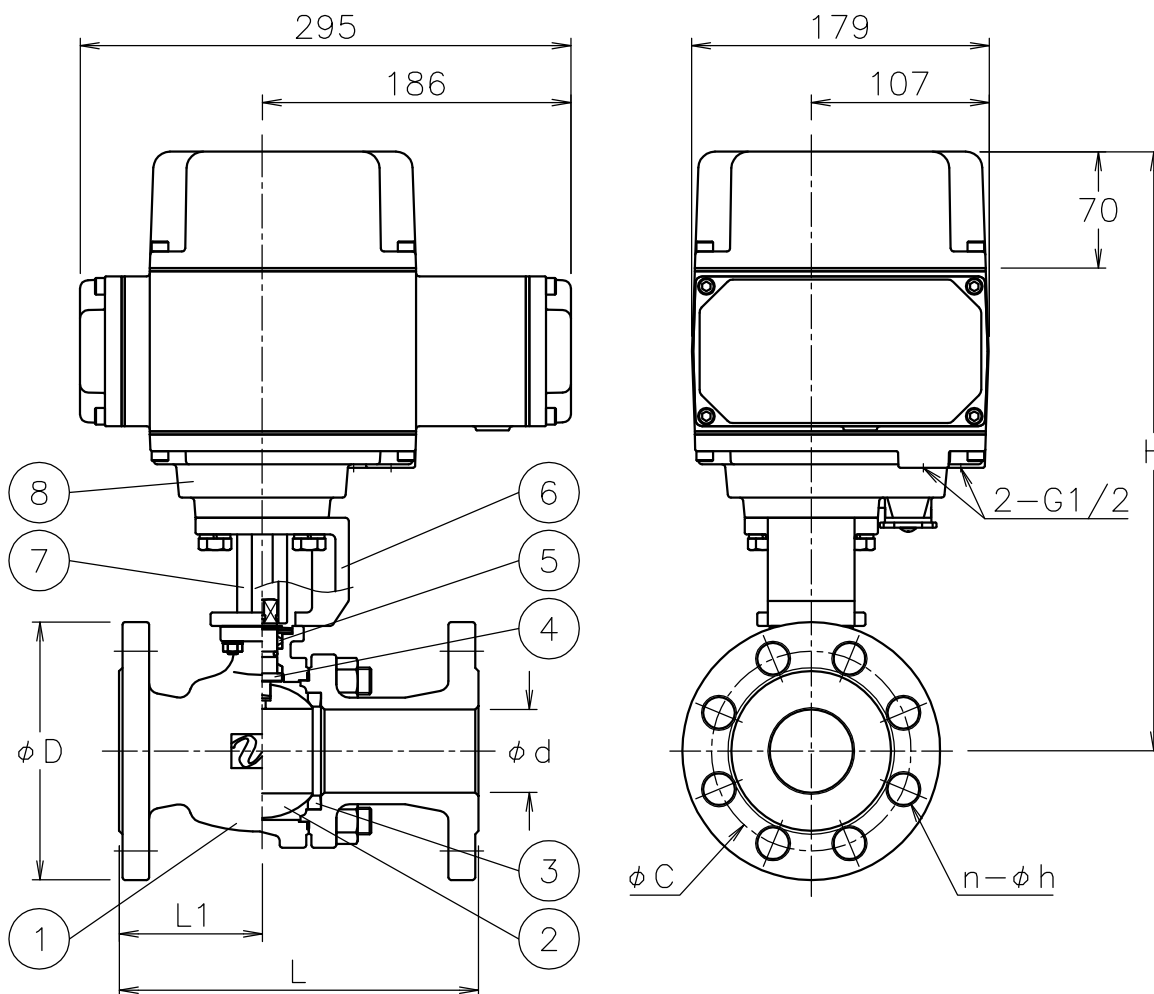



Size [mm]	d	L	L1	D	C	n-h	H	Weight [kg]	Actuator		Sizing code
15	15	140	60	95	70	4-15	327	13	ABR-300	HBR-300	0
20	20	152	64	100	75	4-15	330	13	ABR-300	HBR-300	0
25	25	165	69	125	90	4-19	337	15	ABR-300	HBR-300	0
40	40	190	79	140	105	4-19	352	18	ABR-300	HBR-300	0
								18	ABR-700	HBR-700	2
50	50	216	86	155	120	8-19	361	21	ABR-700	HBR-700	0
65	65	241	110	175	140	8-19	393	26	ABR-700	HBR-700	0
							415	28	-	HBR-02K	2
80	80	283	125	200	160	8-23	427	34	-	HBR-02K	2



NOTE
ATTACHMENT
Cable gland (nylon), G1/2, for $\phi 6$ to 12 mm cable.
Plug.

8	Actuator	AC4C	1	
7	Joint	SCS13A	1	
6	Bracket	SCS13A	1	
5	Packing	R-PTFE	1set	
4	Stem	SUS304	1	
3	Seat	R-PTFE	2	
2	Ball	SCS13A	1	
1	Body	SCS13A	1	
No	DESCRIPTION	MATERIALS	REQ'D	REMARKS

			APPR'D	H.F	TITLE	J20K Flanged-end BR type electric emergency shut off ball valve					
			CHK'D	K.Y							
			DESIGN		MODEL	ABRBR**3TTG HBRBR**3TTG					
			DRAWN	S.O							
MARK	DATE	BY	DATE	'19-09-06	SCALE	NON	DWG No.	BR-*3TTG-AB3-EN			
REVISIONS			 NIPPON VALVE CONTROLS, INC.								
MV-2793											