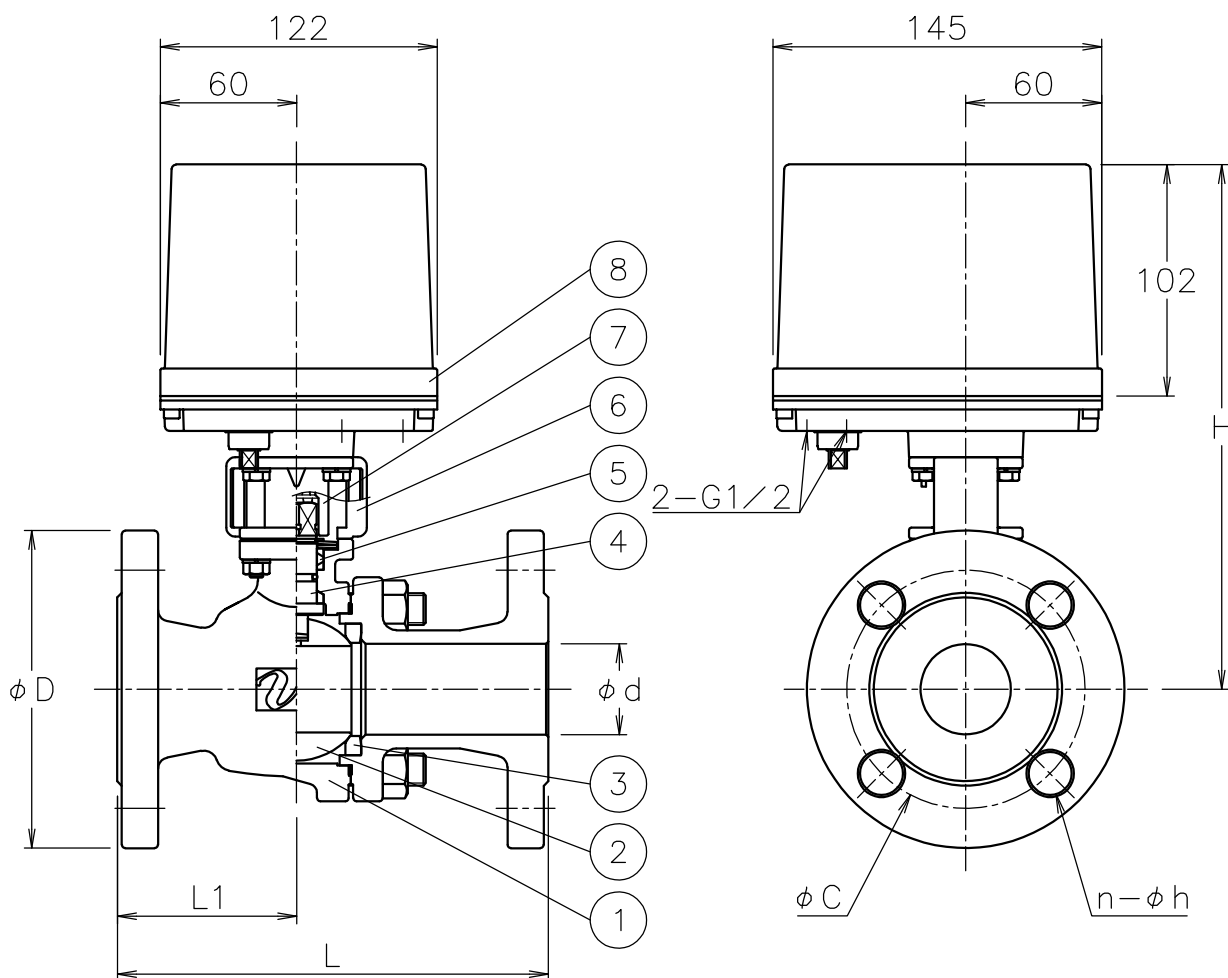


Valve DN	d	L	L1	D	C	n-h	H	Weight (kg)	Actuator	Sizing code
15 A	15	140	60	95	70	4-15	207	4.7	ECR-120	0
20 A	20	152	64	100	75	4-15	210	5.3	ECR-120	0
25 A	25	165	69	125	90	4-19	217	7	ECR-120	0
							217	7.6	ECR-360	2
40 A	40	190	79	140	105	4-19	232	11	ECR-360	0



NOTE

Attachment

- Cable gland (nylon), G1/2, for $\phi 6 \sim 12$ cable
- Plug

8	Actuator	Aluminum alloy die-cast cover	1	
7	Joint	SUS304	1	
6	Bracket	SCS13A	1	
5	Packing	R-PTFE	1set	
4	Stem	SUS304	1	
3	Seat	F-PTFE	2	
2	Ball	SCS13A	1	
1	Body	SCS13A	1	
No	DESCRIPTION	MATERIALS	REQ'D	REMARKS

			APPR'D	H.F	TITLE	J20K Flanged-end Valve DN: 15~40 A BR type electric emergency shut off ball valve							
			CHK'D	K.Y		MODEL	ECRBR**3TTF						
			DESIGN		MARK		DATE	BY	DATE	'16-06-24	SCALE	NON	DWG No.
			DRAWN	P.O									
REVISIONS			 NIPPON VALVE CONTROLS, INC.										
MV-													