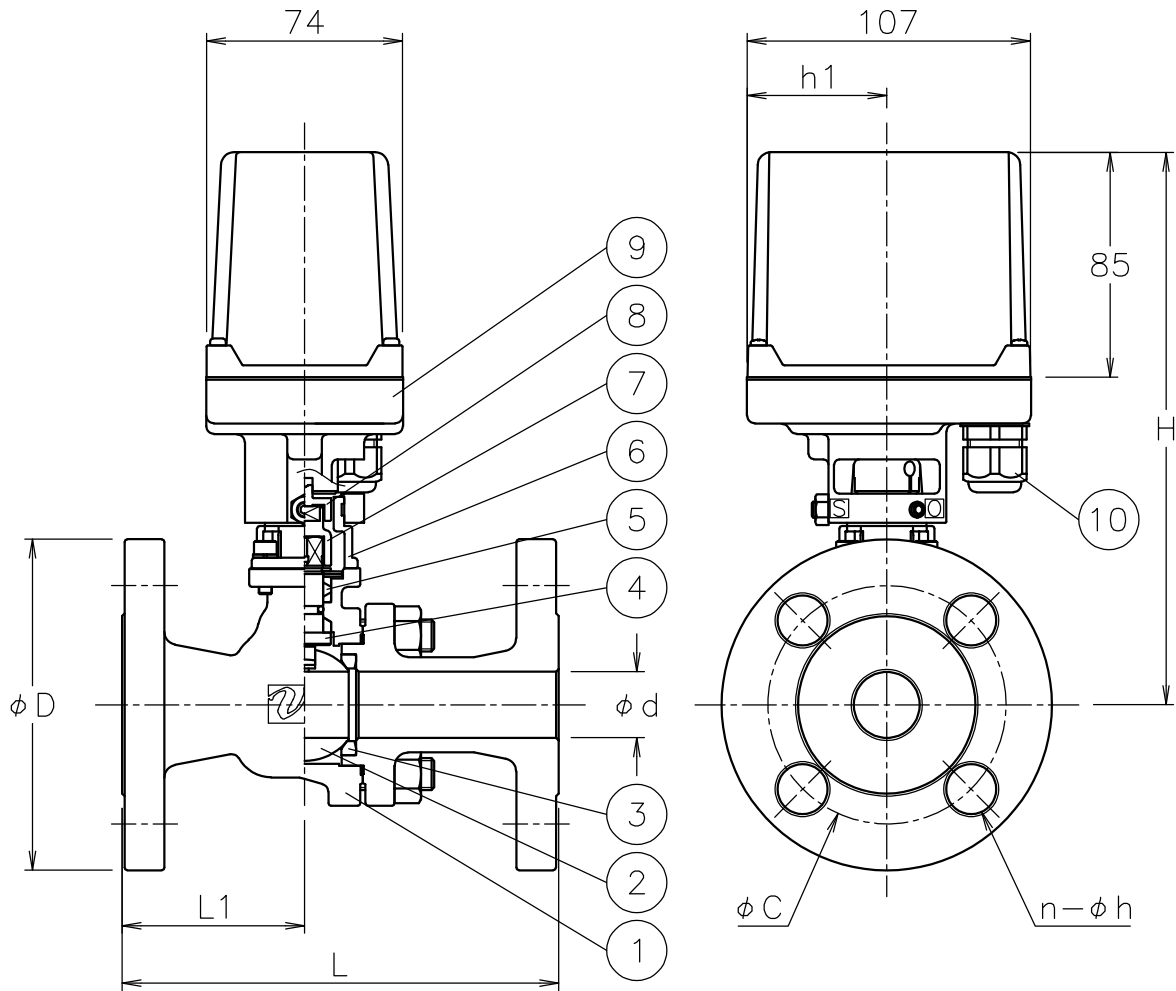



Size [mm]	d	L	L1	D	C	n-h	h1	H	Weight [kg]		Actuator		Sizing code
									AH1	DM*	AH1-070	DM*-070	
15	15	140	60	95	70	4-15	36	179	3.7	3.7	AH1-070	DM*-070	0
20	20	152	64	100	75	4-15	36	182	4.3	4.3	AH1-070	DM*-070	0
							53	196	4.7	4.5	AH1-180	DM*-180	2
25	25	165	69	125	90	4-19	53	209	6.5	6.3	AH1-180	DM*-180	0



NOTE

(a) Cable acceptance: 5ϕ to 10.5ϕ mm.

10	Cable gland	NYLON 6	1	G3/8 (a)
9	Actuator	ADC12/PC CASE	1	
8	Joint	SUS304	1	
7	Joint	SCS13A	1	
6	Bracket	SCS13A	1	
5	Packing	R-PTFE	1set	
4	Stem	SUS304	1	
3	Seat	F-PTFE	2	
2	Ball	SCS13A	1	
1	Body	SCS13A	1	
No	DESCRIPTION	MATERIALS	REQ'D	REMARKS

			APPR'D	H.F	TITLE	J20K Flanged-end BR type motorized ball valve			
			CHK'D	K.Y					
			DESIGN		MODEL	AH1BR**3TTF DM0BR0*3TTF DM2BR0*3TTF			
			DRAWN	S.O					
MARK	DATE	BY	DATE	'21-04-27	SCALE	NON	DWG No.	BR-*3TTF-CM3-EN	
REVISIONS			 NIPPON VALVE CONTROLS, INC.						
MV-2901									