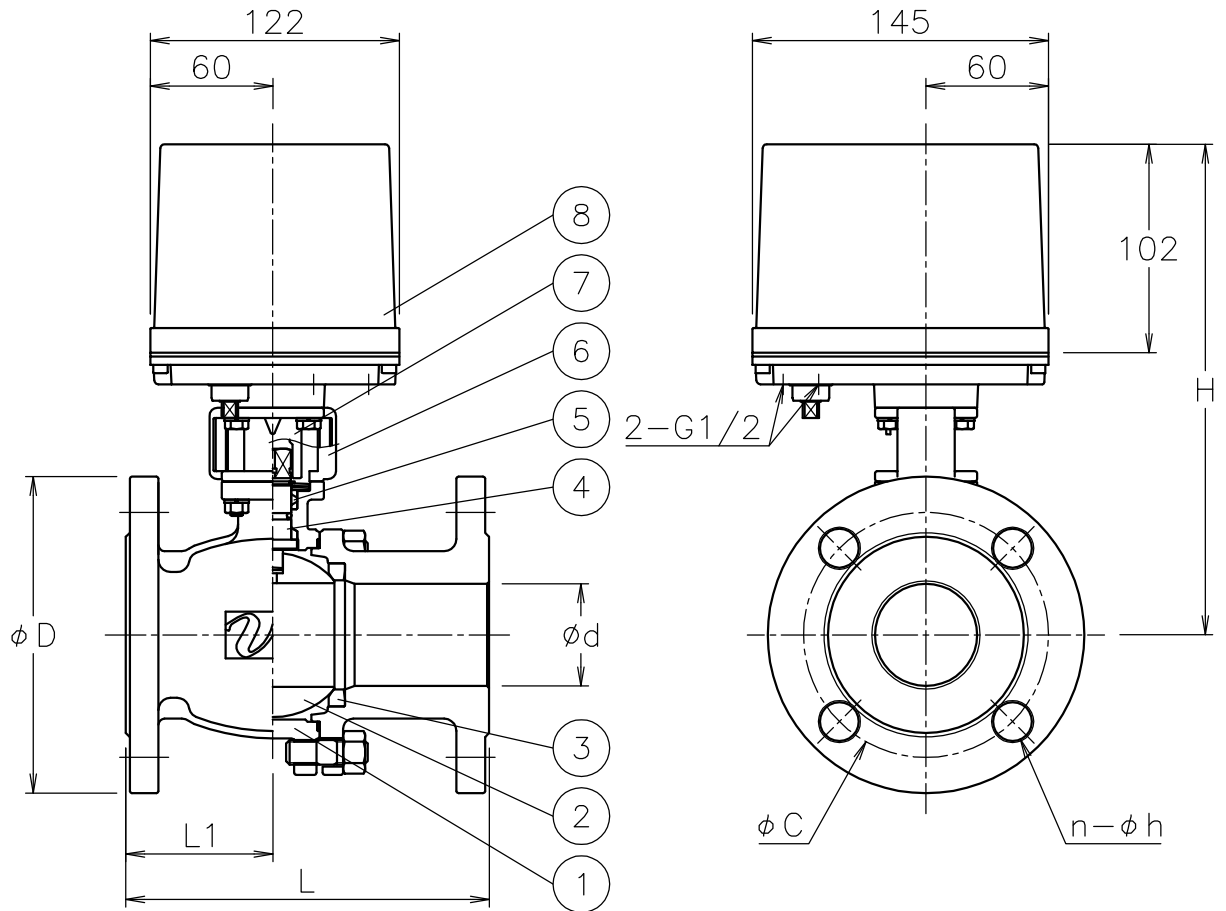


Size [mm]	d	L	L1	D	C	n-h	H	Weight [kg]	Actuator	Sizing code
15	15	108	40	95	70	4-15	207	4.2	ECR-120	0
								4.6	ECR-360	2
20	20	117	48	100	75	4-15	210	4.7	ECR-120	0
								5.1	ECR-360	2
25	25	127	48.5	125	90	4-19	217	6	ECR-120	0
								6.4	ECR-360	2
32	32	140	60	135	100	4-19	223	7.6	ECR-360	0
40	40	165	67.5	140	105	4-19	232	8.8	ECR-360	0
50	50	178	72	155	120	4-19	241	11	ECR-360	0




**NOTE**

Actuator material: Aluminum alloy diecast cover.

**ATTACHMENT**

Cable gland (nylon), G1/2, for 6φ to 12φ cable.  
Plug.

8	Actuator		1	
7	Joint	SUS304	1	
6	Bracket	SCS13A	1	
5	Packing	R-PTFE	1set	
4	Stem	SUS316	1	
3	Seat	R-PTFE	2	
2	Ball	SCS14A	1	
1	Body	SCS14A	1	
No	DESCRIPTION	MATERIALS	REQ'D	REMARKS

			APPR'D	H.F	TITLE	J10K Flanged-end BR type electric emergency shut off ball valve					
			CHK'D	K.Y							
			DESIGN		MODEL	ECRBR**1UUG					
			DRAWN	S.O							
MARK	DATE	BY	DATE	'18-06-25	SCALE	NON	DWG No.	BR-*1UUG-EC6-EN			
REVISIONS			 <b>NIPPON VALVE CONTROLS, INC.</b>								
MV-2713											