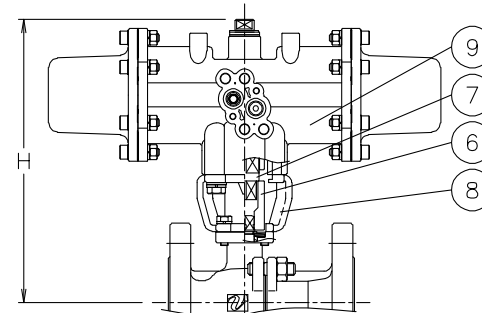
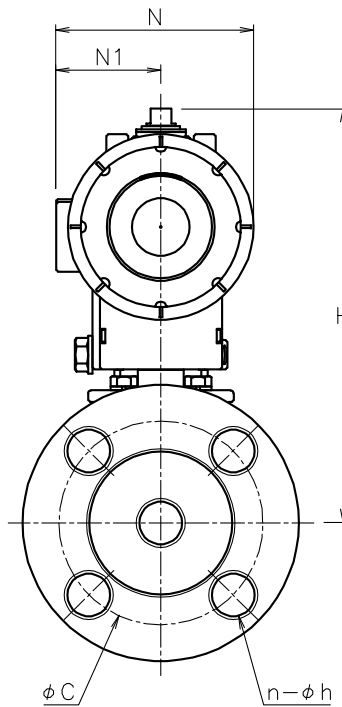
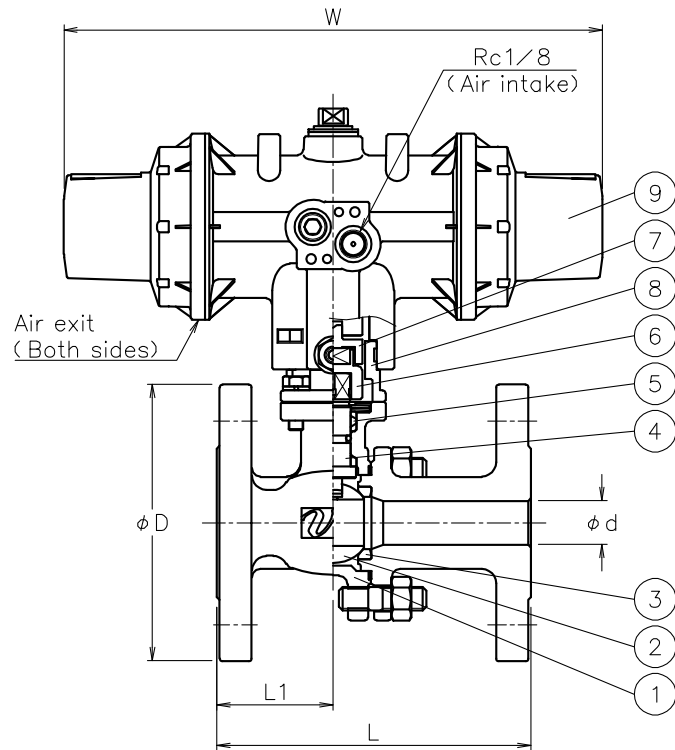
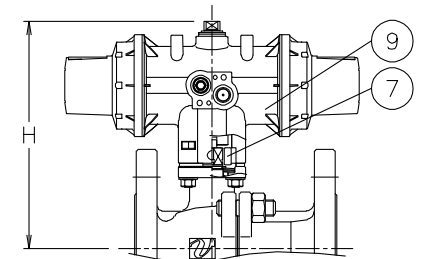


Valve DN	d	L	L1	D	C	n-h	W	N	N1	H	Weight (kg)	Actuator		Sizing code
15 A	15	108	40	95	70	4-15	185	68	36	143	2.4	PSO-04D	PSC-04D	0
20 A	20	117	48	100	75	4-15	185	68	36	146	2.9	PSO-04D	PSC-04D	0
							247	82	44	179	3.6	PSO-05D	PSC-05D	2
25 A	25	127	49	125	90	4-19	185	68	36	143	4.2	PSO-04D	PSC-04D	0
32 A	32	140	60	135	100	4-19	247	82	44	191	6.1	PSO-05D	PSC-05D	0
40 A	40	165	68	140	105	4-19	288	95	48	166	7.6	PSO-05W	PSC-05W	0
50 A	50	178	72	155	120	4-19	288	95	48	175	9.5	PSO-05W	PSC-05W	0



PS*BR921TTF-020
PS*BR901TTF-032



PS*BR901TTF-025
PS*BR901TTF-040
PS*BR901TTF-050

NOTE

- Air supply : 0.4~0.5 Mpa max 0.7 Mpa
- Actuator operation
 - PSO serie
 - Air to intake port : OPEN
 - Spring return : SHUT
 - PSC serie
 - Air to intake port : SHUT
 - Spring return : OPEN
- Coupling OD must be less than $\phi 14.5$

No	DESCRIPTION	MATERIALS	REQ'D	REMARKS
9	Actuator	PPS body	1	PSO/C
8	Bracket	SCS13A	1	
7	Joint	SUS304	1	
6	Joint	SUS304/SCS13A	1	
5	Packing	R-PTFE	1set	
4	Stem	SUS316	1	
3	Seat	F-PTFE	2	
2	Ball	SCS14A	1	
1	Body	SCS14A	1	

MARK	DATE	BY	DATE	APPR'D	K.Y	TITLE	MODEL	SCALE	NON	DWG No.	REMARKS
						Valve DN: 15~50 A					
				CHK'D	K.Y	J10K Flanged-end (single-acting type) BR type pneumatic actuated ball valve					
				DESIGN							
				DRAWN	T.A		PSOBR9*1UUF PSCBR9*1UUF				
			'22-12-06								BR-9*1UUF-DA1-EN
REVISIONS											
MV-2987											