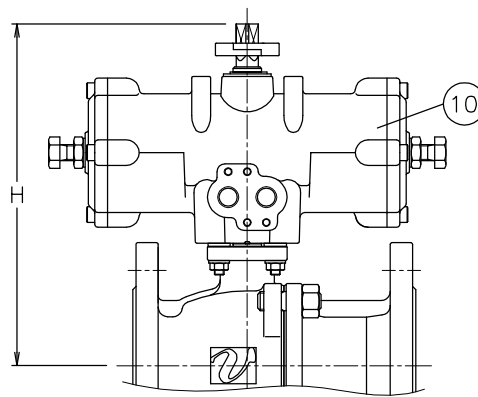
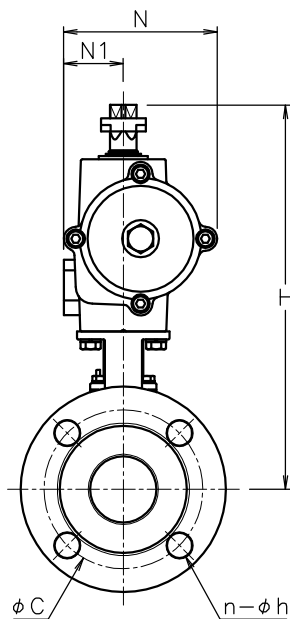
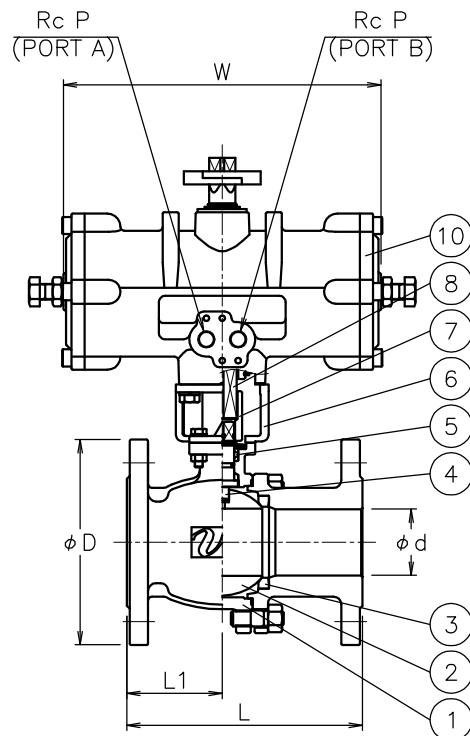


TADBR901TTG-015  
TADBR901TTG-020



TADBR901TTG-040  
TADBR901TTG-050  
TADBR9\*1TTG-065  
TADBR9\*1TTG-080  
TADBR9\*1TTG-100  
TADBR901TTG-125  
TADBR901TTG-150



Size [mm]	d	L	L1	D	C	n-h	P	W	N	N1	H	Weight [kg]	Actuator	Sizing code
15	15	108	40	95	70	4-15	1/8	110	57	32	163	2.8	TAD-040	0
							1/4	170	82	36	201	3.3	TAD-050	2
20	20	117	48	100	75	4-15	1/8	110	57	32	166	3.3	TAD-040	0
							1/4	170	82	36	204	3.8	TAD-050	2
25	25	127	48.5	125	90	4-19	1/4	170	82	36	211	5.1	TAD-050	0
							1/4	204	95	38	226	5.9	TAD-063	2
32	32	140	60	135	100	4-19	1/4	170	82	36	217	6.2	TAD-050	0
							1/4	204	95	38	232	7	TAD-063	2
40	40	165	67.5	140	105	4-19	1/4	204	95	38	207	8	TAD-063	0
							1/4	240	116	45	282	9.7	TAD-080	2
50	50	178	72	155	120	4-19	1/4	204	95	38	216	9.9	TAD-063	0
							1/4	240	116	45	291	12	TAD-080	2
65	65	190	85	175	140	4-19	1/4	240	116	45	271	16	TAD-080	0
							1/4	294	143	57	302	19	TAD-100	2
80	80	203	97	185	150	8-19	1/4	240	116	45	283	19	TAD-080	0
							1/4	294	143	57	314	22	TAD-100	2
100	100	229	109	210	175	8-19	1/4	294	143	57	340	29	TAD-100	0
							1/4	366	150	60	365	33	TAD-125	2
125	125	356	150	250	210	8-23	1/4	366	150	60	383	52	TAD-125	0
150	150	394	152	280	240	8-23	1/4	446	181	68	455	81	TAD-160	0

NOTE

- 1) Air supply: 0.4 to 0.5Mpa. Max 0.7Mpa.
- 2) Actuator operation  
Air to port A: SHUT.  
Air to port B: OPEN.

No	DESCRIPTION	MATERIALS	REQ'D	REMARKS
10	Actuator		1	TAD
9	Bracket	BERIC	1	
8	Joint	SUS304	1	
7	Joint	SUS304/SCS13A	1	
6	Bracket	SCS13A	1	
5	Packing	R-PTFE	1set	
4	Stem	SUS304	1	
3	Seat	R-PTFE	2	
2	Ball	SCS13A	1	
1	Body	SCS13A	1	

MARK	DATE	BY	DATE	SCALE	TITLE	MODEL	DWG No.	REVISIONS
			'17-12-20	NON	J10K Flanged-end (double-acting type) BR type pneumatic actuated ball valve	TADBR9*1TTG		
							BR-9*1TTG-TA13-EN	
					<b>Upro NIPPON VALVE CONTROLS, INC.</b>			