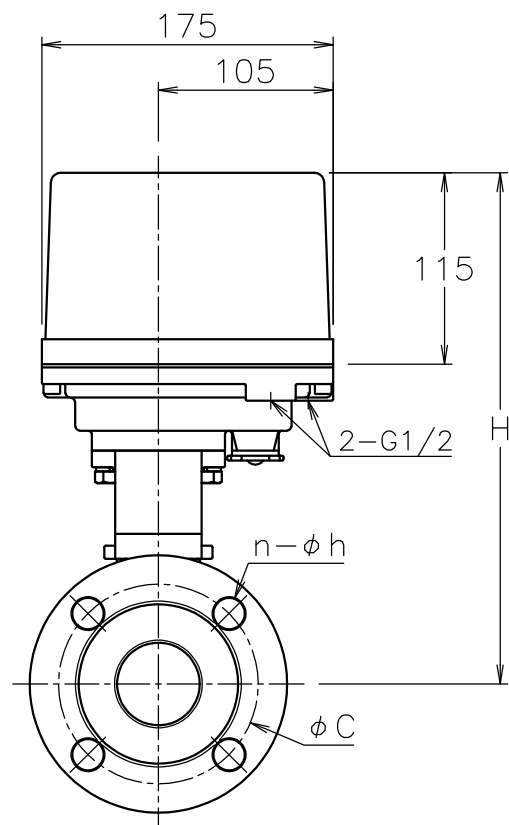
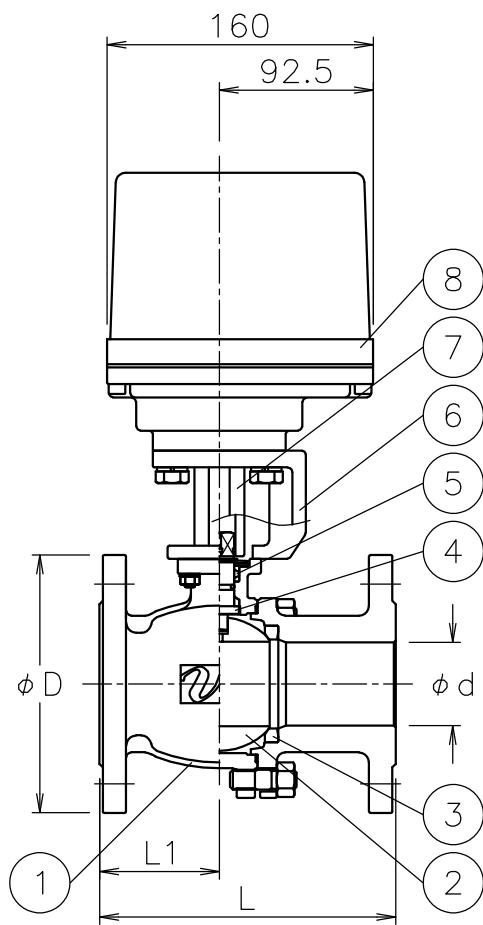



| Size [mm] | d | L | L1 | D | C | n-h | H | Weight [kg] | Actuator | | | Sizing code |
|-----------|----|-----|------|-----|-----|------|-----|-------------|----------|---------|---------|-------------|
| 15 | 15 | 108 | 40 | 95 | 70 | 4-15 | 274 | 8.3 | AD1-300 | AD2-300 | AD0-300 | 0 |
| 20 | 20 | 117 | 48 | 100 | 75 | 4-15 | 277 | 8.8 | AD1-300 | AD2-300 | AD0-300 | 0 |
| 25 | 25 | 127 | 48.5 | 125 | 90 | 4-19 | 284 | 11 | AD1-300 | AD2-300 | AD0-300 | 0 |
| 32 | 32 | 140 | 60 | 135 | 100 | 4-19 | 290 | 12 | AD1-300 | AD2-300 | AD0-300 | 0 |
| | | | | | | | | 13 | AD1-700 | AD2-700 | AD0-700 | 2 |
| 40 | 40 | 165 | 67.5 | 140 | 105 | 4-19 | 299 | 13 | AD1-300 | AD2-300 | AD0-300 | 0 |
| | | | | | | | | 13 | AD1-700 | AD2-700 | AD0-700 | 2 |
| 50 | 50 | 178 | 72 | 155 | 120 | 4-19 | 308 | 15 | AD1-700 | AD2-700 | AD0-700 | 0 |
| 65 | 65 | 190 | 85 | 175 | 140 | 4-19 | 330 | 20 | AD1-700 | AD2-700 | AD0-700 | 0 |
| 80 | 80 | 203 | 97 | 185 | 150 | 8-19 | 342 | 23 | AD1-700 | AD2-700 | AD0-700 | 0 |



NOTE
ATTACHMENT
Cable gland (nylon), G 1/2, for 6φ to 12φ cable.
Plug.

| 8 | Actuator | | 1 | |
|----|-------------|-----------|-------|---------|
| 7 | Joint | SCS13A | 1 | |
| 6 | Bracket | SCS13A | 1 | |
| 5 | Packing | R-PTFE | 1set | |
| 4 | Stem | SUS304 | 1 | |
| 3 | Seat | R-PTFE | 2 | |
| 2 | Ball | SCS13A | 1 | |
| 1 | Body | SCS13A | 1 | |
| No | DESCRIPTION | MATERIALS | REQ'D | REMARKS |

| | | | | | | | | | | | |
|-----------|------|----|--|-----------|-------|--|---------|-----------------|--|--|--|
| | | | APPR'D | H.F | TITLE | J10K Flanged-end BR type electric actuated ball valve | | | | | |
| | | | CHK'D | K.Y | | | | | | | |
| | | | DESIGN | | MODEL | AD1BR**1TTG AD0BR0*1TTG AD2BR**1TTG | | | | | |
| | | | DRAWN | S.O | | | | | | | |
| MARK | DATE | BY | DATE | '20-08-07 | SCALE | NON | DWG No. | BR-*1TTG-AD9-EN | | | |
| REVISIONS | | |  NIPPON VALVE CONTROLS, INC. | | | | | | | | |
| MV-2850 | | | | | | | | | | | |