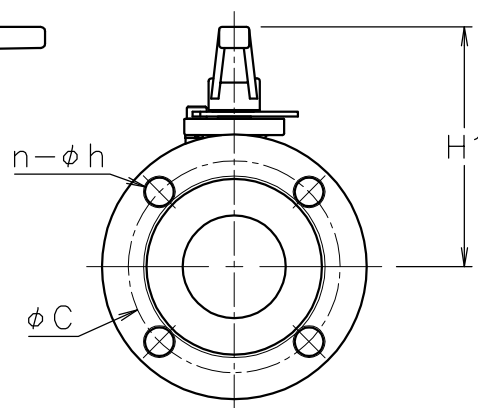
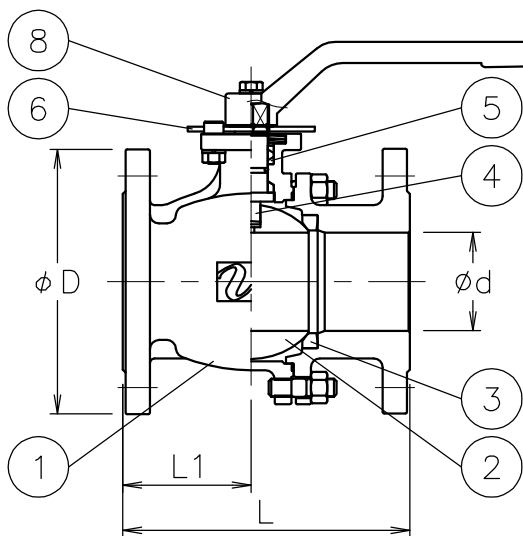
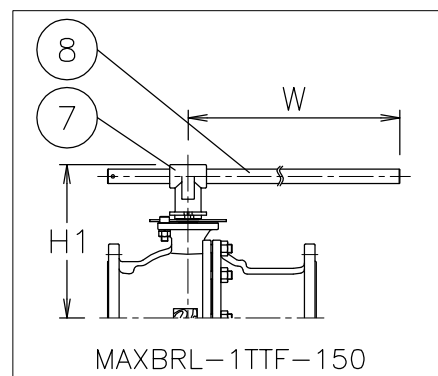
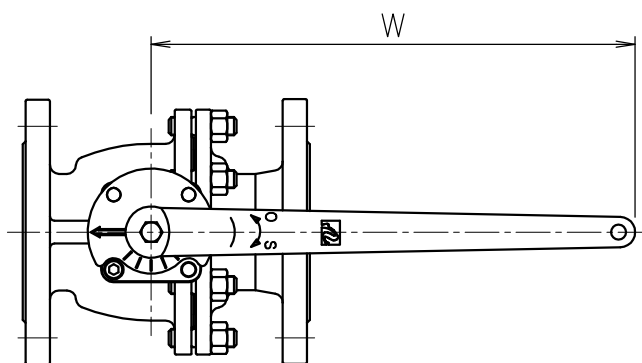


Size (mm)	d	L	L1	D	C	n-h	W	H1	Weight (kg)	Actuator
15	15	108	40	95	70	4-15	115	82	1.8	Lever
20	20	117	48	100	75	4-15	115	85	2.3	Lever
25	25	127	48.5	125	90	4-19	145	102	3.7	Lever
32	32	140	60	135	100	4-19	145	108	4.8	Lever
40	40	165	67.5	140	105	4-19	220	124	6.2	Lever
50	50	178	72	155	120	4-19	220	133	8.1	Lever
65	65	190	85	175	140	4-19	320	159	13	Lever
80	80	203	97	185	150	8-19	320	171	16	Lever
100	100	229	109	210	175	8-19	430	204	24	Lever
125	125	356	150	250	210	8-23	430	222	43	Lever
150	150	394	152	280	240	8-23	400~750	290	65	Lever



NOTE

(a) Lever handle is removed and shipped.

No	DESCRIPTION	MATERIALS	REQ'D	REMARKS
8	Lever handle	SUS304/SCS13A	1	(a)
7	Joint	SCS13A	1	
6	Position indicator	SUS304	1	
5	Packing	R-PTFE	1set	
4	Stem	SUS304	1	
3	Seat	F-PTFE	2	
2	Ball	SCS13A	1	
1	Body	SCS13A	1	

MARK	DATE	BY	DATE	'16-12-19	SCALE	NON	DWG No.	BR-1TTF-L-MA7-EN
REVISIONS								
MV-2572								
APPR'D		H.F		TITLE		J10K Flanged-end BR type ball valve		
CHK'D		K.Y		MODEL		MAXBRL-1TTF		
DESIGN		S.O						
DRAWN		S.O						