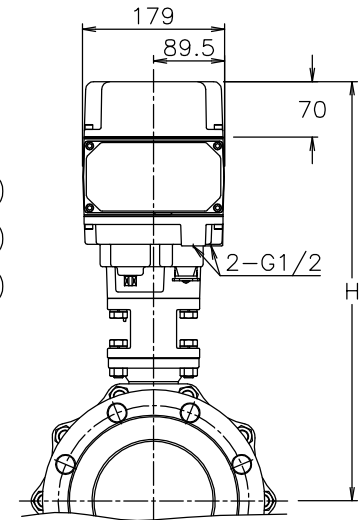
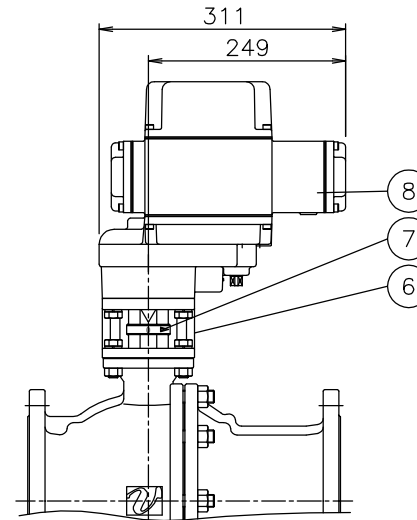
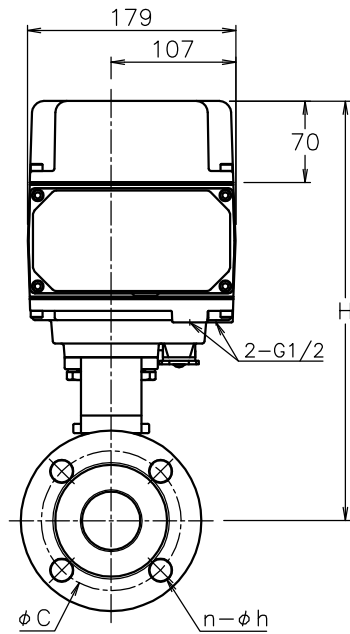
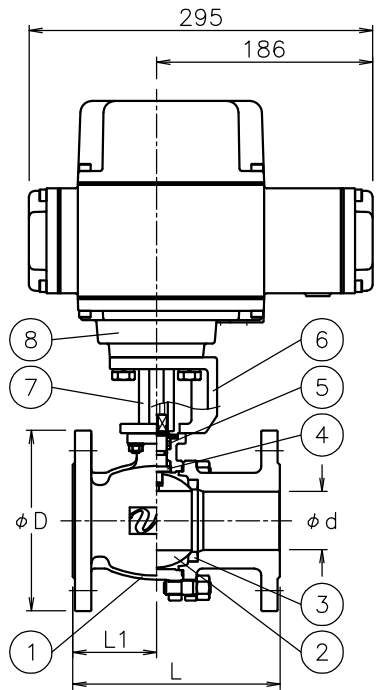


Size [mm]	d	L	L1	D	C	n-h	H	Weight [kg]	Actuator		Sizing code
15	15	108	40	95	70	4-15	327	12	ABR-300	HBR-300	0
20	20	117	48	100	75	4-15	330	13	ABR-300	HBR-300	0
25	25	127	48.5	125	90	4-19	337	14	ABR-300	HBR-300	0
32	32	140	60	135	100	4-19	343	15	ABR-300	HBR-300	0
40	40	165	67.5	140	105	4-19	352	16	ABR-300	HBR-300	0
50	50	178	72	155	120	4-19	361	18	ABR-700	HBR-700	0
65	65	190	85	175	140	4-19	383	23	ABR-700	HBR-700	0
80	80	203	97	185	150	8-19	395	26	ABR-700	HBR-700	0
							417	28	-	HBR-02K	2
100	100	229	109	210	175	8-19	443	35	-	HBR-02K	0
							484	41	-	HBR-06K	2
							461	54	-	HBR-02K	1
125	125	356	150	250	210	8-23	502	60	-	HBR-06K	0
							528	80	-	HBR-06K	0



HBRBR*21TTF-100
HBRBR*01TTF-125
HBRBR*01TTF-150

NOTE
ATTACHMENT
Cable gland (nylon), G1/2, for $\phi 6$ to 12 mm cable.
Plug.

No	DESCRIPTION	MATERIALS	REQ'D	REMARKS
8	Actuator	AC4C	1	
7	Joint	SCS13A	1	
6	Bracket	SCS13A	1	
5	Packing	R-PTFE	1set	
4	Stem	SUS304	1	
3	Seat	F-PTFE	2	
2	Ball	SCS13A	1	
1	Body	SCS13A	1	

			APPR'D	H.F	TITLE	J10K Flanged-end BR type electric emergency shut off ball valve							
			CHK'D	K.Y		MODEL	ABRBR*01TTF HBRBR**1TTF						
			DESIGN				MARK	DATE	BY	DATE	SCALE	DWG No.	BR-*1TTF-AB8-EN
			DRAWN	S.O									
REVISIONS													
MV-2793													