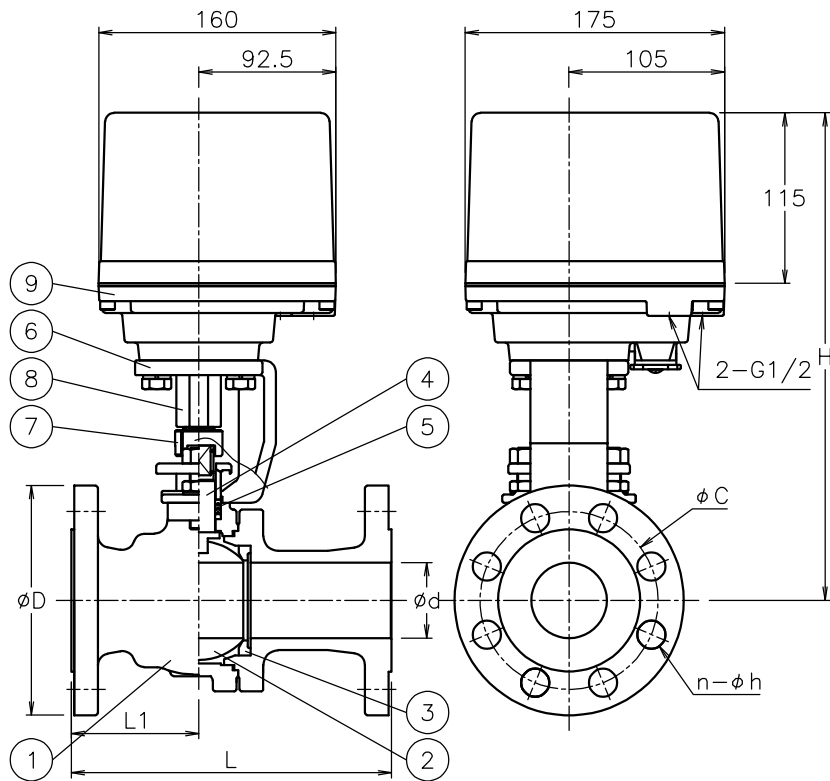
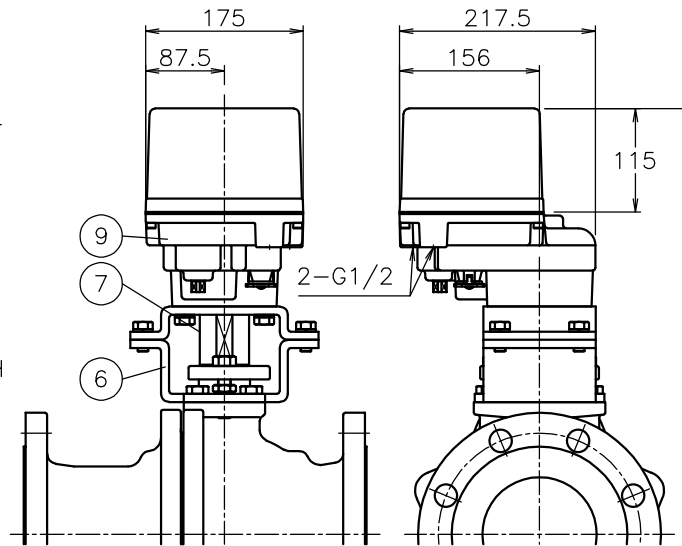


HD\*BF\*13TTT-125

Size (mm)	d	L	L1	D	C	n-h	H	Weight (kg)	ACTUATOR			Sizing code
20 A	19	152	70	100	75	4-15	285	9.4	HD1-300	HD2-300	HD0-300	0
25 A	25	165	71	125	90	4-19	296	12	HD1-300	HD2-300	HD0-300	0
32 A	38	190	76.5	135	100	4-19	321	14	HD1-300	HD2-300	HD0-300	0
								15	HD1-700	HD2-700	HD0-700	2
40 A	38	190	76.5	140	105	4-19	321	14	HD1-300	HD2-300	HD0-300	0
								15	HD1-700	HD2-700	HD0-700	2
50 A	51	216	86	155	120	8-19	329	17	HD1-700	HD2-700	HD0-700	0
65 A	64	241	103	175	140	8-19	368	25	HD1-700	HD2-700	HD0-700	0
								26	HD1-02K	HD2-02K	HD0-02K	2
80 A	76	283	124	200	160	8-23	378	31	HD1-700	HD2-700	HD0-700	1
								32	HD1-02K	HD2-02K	HD0-02K	0
100 A	102	305	135	225	185	8-23	436	48	HD1-02K	HD2-02K	HD0-02K	0
125 A	127	381	158	270	225	8-25	468	75	HD1-02K	HD2-02K	HD0-02K	1
								81	HD1-06K	HD2-06K	HD0-06K	0
150 A	152	403	178	305	260	12-25	493	105	HD1-06K	HD2-06K	HD0-06K	0
200 A	203	502	235	350	305	12-25	546	140	HD1-06K	HD2-06K	HD0-06K	1



HD\*BF\*03TTT-125  
 HD\*BF\*03TTT-150  
 HD\*BF\*13TTT-200



NOTE  
 Attachment  
 • Cable gland( nylon), G1/2, for phi 6~12 cable  
 • Plug

No	DESCRIPTION	MATERIALS	REQ'D	REMARKS
9	Actuator		1	
8	Joint	SCS13A	1	
7	Joint	SUSXM7/LAK52	1	125A(Sizing code 0) 150A 065~100A 200A 025~050A
		SUS303/SUS304		
		SCS13A		
6	Bracket	SS400	1	015,020A 125A(Sizing code 1) 015~100A
		SCPH2		
5	Packing	N-PTFE	1	
4	Stem	SUS304	1	
3	Seat	N-PTFE	2	
2	Ball	SUS304/SCS13A	1	
1	Body	SCS13A	1	

MARK	DATE	BY	DATE	SCALE	TITLE	MODEL	DWG No.
			'23-11-16	NON	J20K Flanged-end BF type electric actuated ball valve	HD1BF**3TTT HD2BF**3TTT	HD0BF0*3TTT
REVISIONS					BF-*3TTT-HD8-EN		
MV-3039					NIPPON VALVE CONTROLS, INC.		