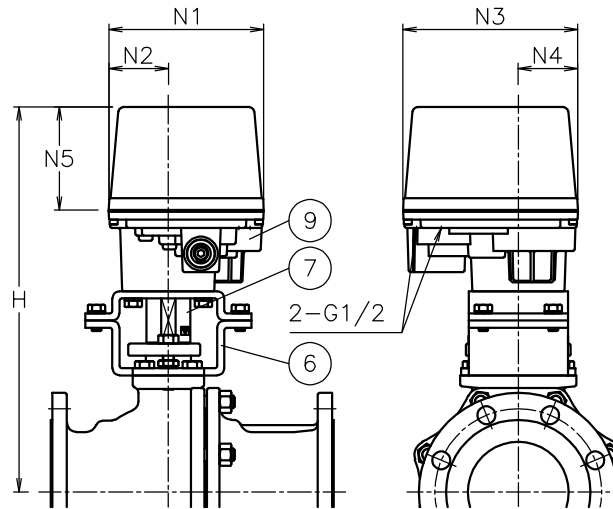
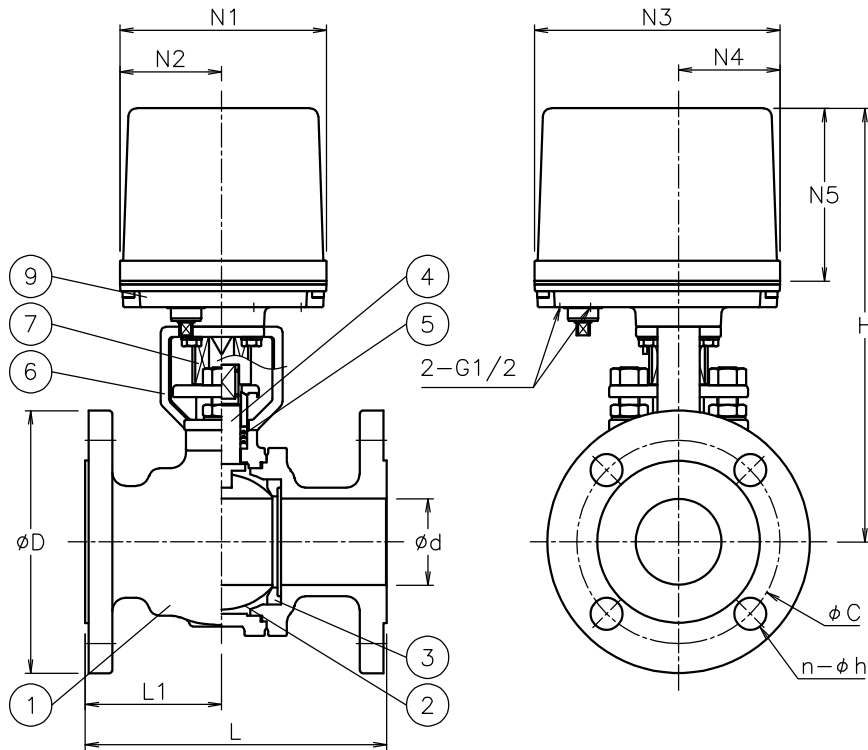


AE*BF*21UUG-065
AE*BF*01UUG-080
AE*BF*01UUG-100

AE*BF*01UUG-065

Size (mm)	d	L	L1	D	C	n-h	N1	N2	N3	N4	N5	H	Weight (kg)	ACTUATOR		Sizing code
15 A	13	108	45	95	70	4-15	122	60	145	60	102	215	4.4	AE1-120	AE2-120	0
20 A	19	117	50	100	75	4-15	122	60	145	60	102	219	5	AE1-120	AE2-120	0
25 A	25	127	51	125	90	4-19	122	60	145	60	102	229	6.5	AE1-120	AE2-120	0
													7.1	AE1-360	AE2-360	2
32 A	38	165	70.5	135	100	4-19	122	60	145	60	102	248	9.8	AE1-360	AE2-360	0
40 A	38	165	70.5	140	105	4-19	122	60	145	60	102	248	9.8	AE1-360	AE2-360	0
50 A	51	178	80.5	155	120	4-19	122	60	145	60	102	300	256	AE1-360	AE2-360	0
													272	AE1-700	AE2-700	2
65 A	64	190	87	175	140	4-19	122	60	145	60	102	395	17	AE1-700	AE2-700	0
80 A	76	203	97	185	150	8-19	160	97	175	63	115	405	24	AE1-02K	AE2-02K	2
100 A	102	229	116	210	175	8-19	160	97	175	63	115	441	38	AE1-02K	AE2-02K	0
125 A	127	356	148	250	210	8-23	195	75	220	75	130	485	69	AE1-06K	AE2-06K	0
150 A	152	394	173	280	240	8-23	195	75	220	75	130	505	89	AE1-06K	AE2-06K	0



AE*BF*01UUG-125
AE*BF*01UUG-150

NOTE

Attachment

- Cable gland(nylon), G1/2, for phi 6~12 cable
- Plug

No	DESCRIPTION	MATERIALS	REQ'D	REMARKS
9	Actuator	SCS13A	1	
8	Joint	SUSXM7/LAK52)	1	
7	Joint	SUS304	1	125,150A
		SUS(LAK52)/SUS304		080,100A
		SUS(LAK52)		065A
		SUS(LAK52)		015~050A
6	Bracket	SS400	1	125,150A
		SCPH2		080,100A
		SCPH2/SUS304		065A
		SCS13A		015~050A
5	Packing	N-PTFE	1	
4	Stem	SUS316	1	
3	Seat	R-PTFE	2	
2	Ball	SUS316/SCS14A	1	
1	Body	SCS14A	1	

MARK	DATE	BY	DATE	SCALE	NON	DWG No.	BF-*1UUG-AE10-EN
REVISIONS							
MV-3039							
APPR'D	K.Y.	TITLE	J10K Flanged-end BF type electric actuated ball valve				
CHK'D	K.Y.	MODEL	AE1BF**1UUG AE2BF**1UUG				
DESIGN							
DRAWN	P.O.						



NIPPON VALVE CONTROLS, INC.