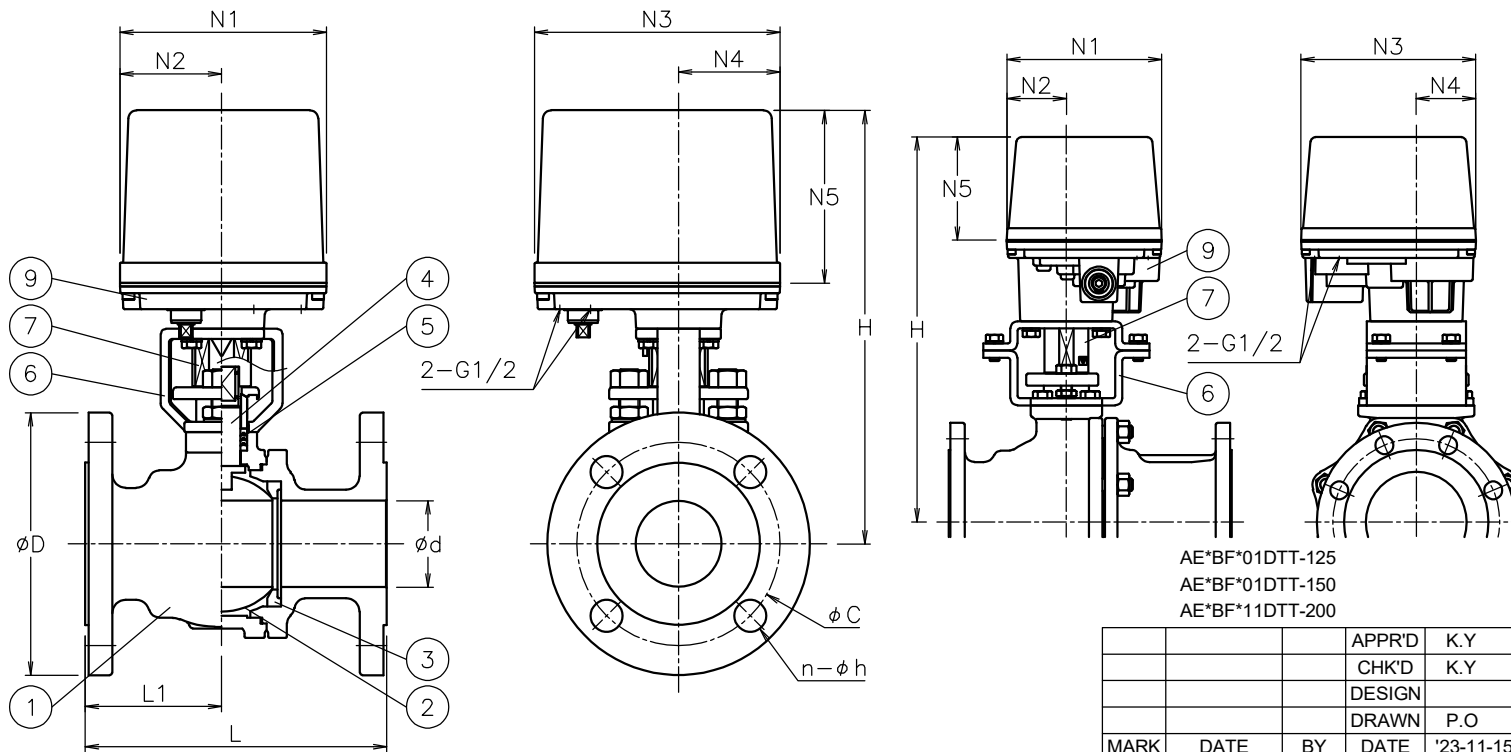


Size (mm)	d	L	L1	D	C	n-h	N1	N2	N3	N4	N5	H	Weight (kg)	ACTUATOR		Sizing code
15 A	13	108	45	95	70	4-15	122	60	145	60	102	215	4.4	AE1-120	AE2-120	0
20 A	19	117	50	100	75	4-15	122	60	145	60	102	219	5	AE1-120	AE2-120	0
25 A	25	127	51	125	90	4-19	122	60	145	60	102	229	6.5	AE1-120	AE2-120	0
32 A	38	165	70.5	135	100	4-19	122	60	145	60	102	248	7.1	AE1-360	AE2-360	2
40 A	38	165	70.5	140	105	4-19	122	60	145	60	102	248	9.8	AE1-360	AE2-360	0
50 A	51	178	80.5	155	120	4-19	122	60	145	60	102	256	12	AE1-360	AE2-360	0
												272		AE1-700	AE2-700	2
65 A	64	190	87	175	140	4-19	122	60	145	60	102	300	17	AE1-700	AE2-700	0
							160	97	175	63	115	395	24	AE1-02K	AE2-02K	2
80 A	76	203	97	185	150	8-19	122	60	145	60	102	310	20	AE1-700	AE2-700	1
							160	97	175	63	115	405	27	AE1-02K	AE2-02K	0
100 A	102	229	116	210	175	8-19	160	97	175	63	115	441	38	AE1-02K	AE2-02K	0
125 A	127	356	148	250	210	8-23	160	97	175	63	115	473	64	AE1-02K	AE2-02K	1
							195	75	220	75	130	485	69	AE1-06K	AE2-06K	0
150 A	152	394	173	280	240	8-23	195	75	220	75	130	505	89	AE1-06K	AE2-06K	0
200 A	203	457	207	330	290	12-23	195	75	220	75	130	558	120	AE1-06K	AE2-06K	1



NOTE
Attachment
• Cable gland (nylon), G1/2, for phi 6~12 cable
• Plug

No	DESCRIPTION	MATERIALS	REQ'D	REMARKS
9	Actuator		1	
8	Joint	SCS13A	1	
7	Joint	SUSXM7/LAK52)	1	125A(Sizing code 0) 150A
		S45C		125A(Sizing code 1)
		SUS303/SUS304		100,200A
		SUS(LAK52)/ SUS304		065,080A
6	Bracket	SUS(LAK52)/ SUS304	1	015~050A
		SS400		125~200A
		SCPH2		100A
		SCPH2/SUS304		065,080A
		SCS13A		015~050A
5	Packing	N-PTFE	1	
4	Stem	SUS304	1	
3	Seat	N-PTFE	2	
2	Ball	SUS304/SCS13A	1	
1	Body	FCD400	1	

AE*BF*01DTT-125
AE*BF*01DTT-150
AE*BF*11DTT-200

APPR'D	K.Y.	TITLE	J10K Flanged-end BF type electric actuated ball valve			
CHK'D	K.Y.	MODEL	AE1BF**1DTT AE2BF**1DTT			
DESIGN		SCALE	NON	DWG No.	BF-*1DTT-AE10-EN	
DRAWN	P.O.					
MARK	DATE	BY	DATE	'23-11-15		
REVISIONS						
MV-3039						