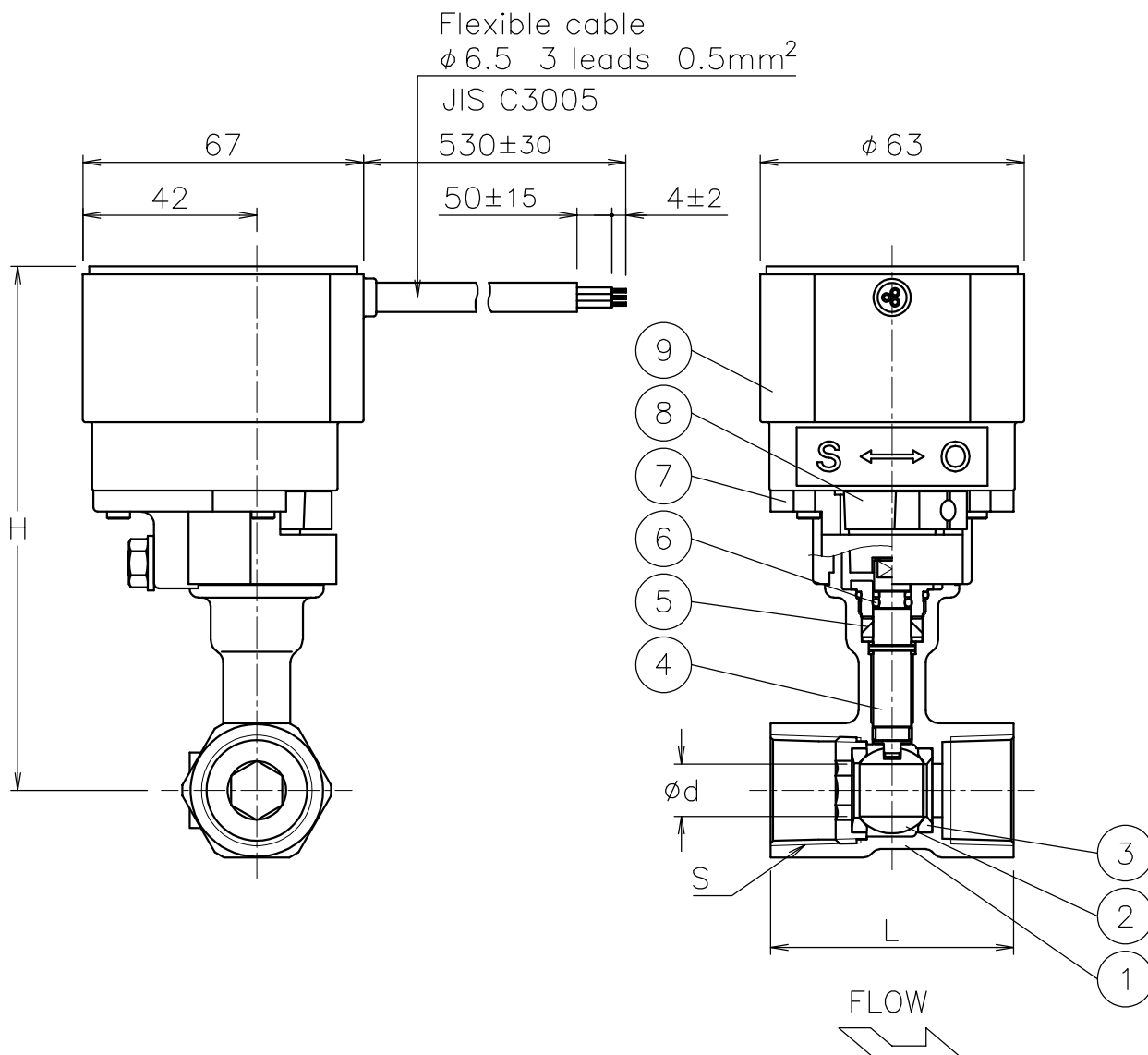


口径	S	d	L	H	Weight (kg)	Cv	Actuator	Sizing code
15 A	Rc 1/2	9	56	123	0.6	5	PM1-030	0
20 A	Rc 3/4	12.5	58	125	0.7	10	PM1-030	0
25 A	Rc 1	16	71	128	0.8	15	PM1-030	0



9	Actuator	PC Case	1	
8	Joint	PPS	1	
7	Bracket	PPS	1	
6	O-ring	FKM	1	
5	Packing	PTFE	1	
4	Stem	SUS304	1	
3	Seat	R-PTFE	2	
2	Ball	SUS304	1	
1	Body	SCS13A	1	

No	DESCRIPTION	MATERIALS	REQ'D	REMARKS
----	-------------	-----------	-------	---------

			APPR'D	H.F	TITLE	Threaded End Rc Valve DN: 15~25 A		
			CHK'D	K.Y		AE type motorized ball valve		
			DESIGN		MODEL	PM1AE*05TTP		
			DRAWN	P.O				
MARK	DATE	BY	DATE	'16-04-07	SCALE	NON	DWG No.	AE-05TTP-PM3a-EN
REVISIONS			<b>NIPPON VALVE CONTROLS, INC.</b>					
MV-2359								