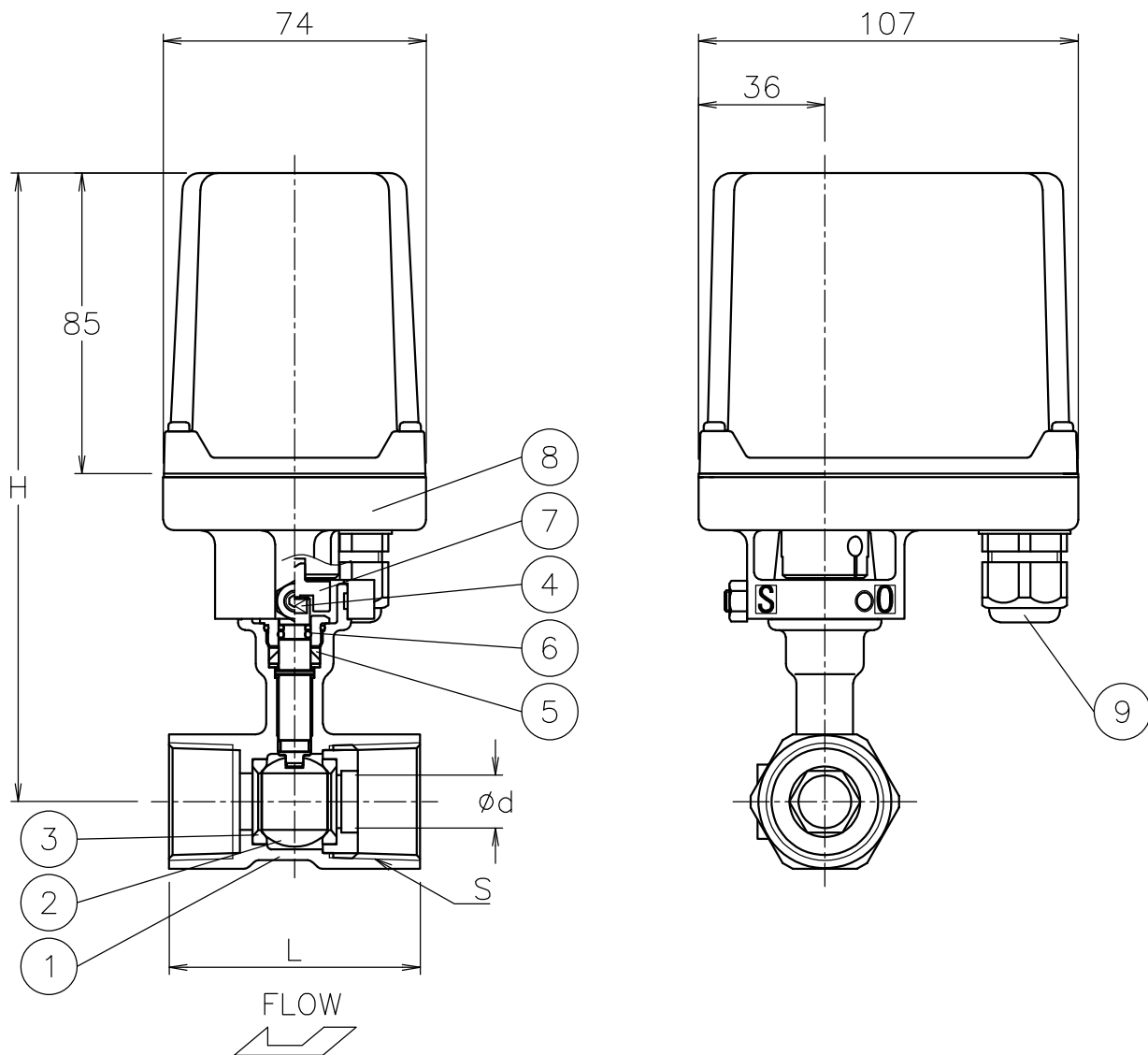


Valve DN	S	d	L	H	Weight (kg)	Cv	Actuator	Sizing code
15 A	Rc 1/2	9.2	56	173	1.2	5	ACR-030	0
20 A	Rc 3/4	12.5	58	176	1.3	10	ACR-030	0
25 A	Rc 1	16	71	178	1.4	15	ACR-030	0



NOTE

(a) Cable acceptance $\phi 5 \sim 10.5\text{mm}$

9	Cable gland	NYLON 6	1	G 3/8 (a)
8	Actuator	ADC12/PC Cover	1	
7	Joint	SUS304	1	
6	O-ring	FKM	1	
5	Packing	PTFE	1	
4	Stem	SUS304	1	
3	Seat	R-PTFE	2	
2	Ball	SUS304	1	
1	Body	SCS13A	1	
No	DESCRIPTION	MATERIALS	REQ'D	REMARKS

			APPR'D	H.F	TITLE	Threaded End Rc Valve DN: 15~25 A AE type electric emergency shut off ball valve							
			CHK'D	K.Y		MODEL	ACRAE205TTP						
			DESIGN		MARK		DATE	BY	DATE	'16-04-19	SCALE	NON	DWG No.
			DRAWN	P.O		REVISIONS							
					MV-2359								



NIPPON VALVE CONTROLS, INC.