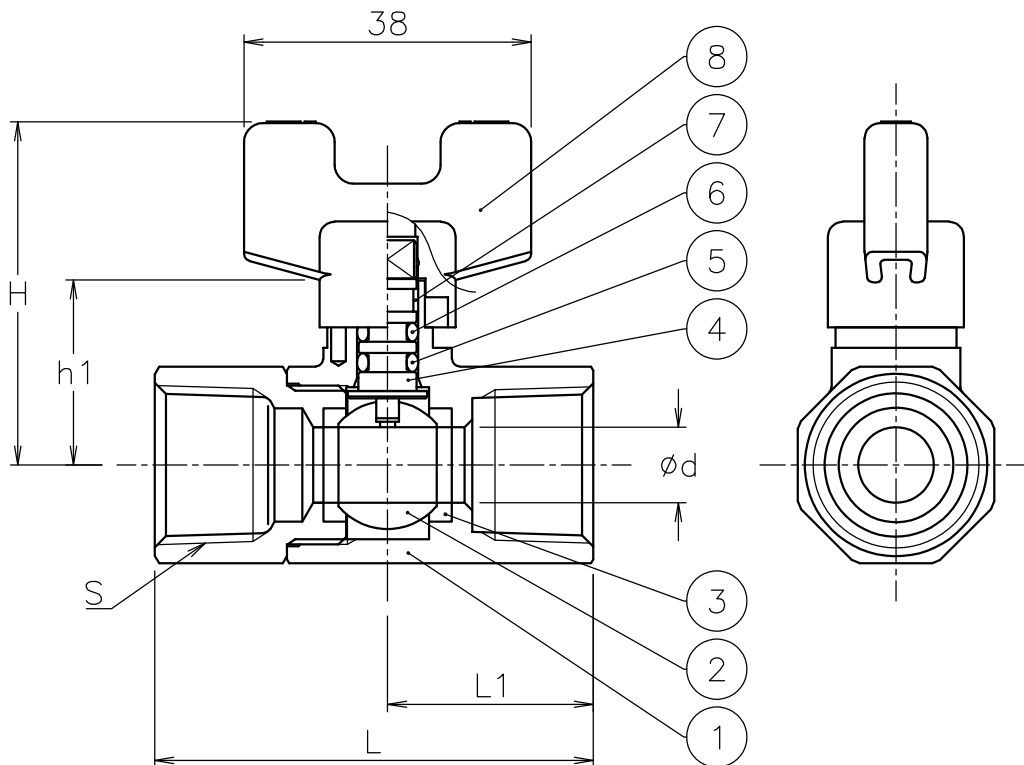
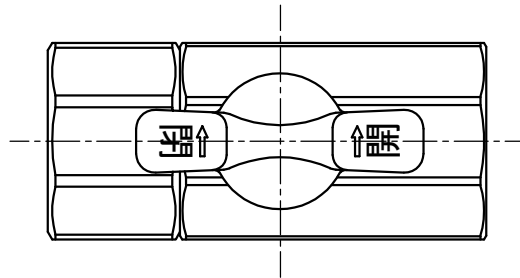



Valve DN	S	d	L	L1	h1	H	Weight (kg)	Cv	Actuator
15 A	Rc 1/2	10	58	27.2	24	46	0.2	6	Lever
20 A	Rc 3/4	12.5	63	29.7	26	47	0.3	11	Lever
25 A	Rc 1	15	71	33.8	30	51	0.5	15	Lever



8	Manual handle	POM	1	
7	Guide ring	PTFE	1	
6	O-ring	NBR	1	
5	O-ring	FKM	1	
4	Stem	Dezincification resistant brass	1	
3	Seat	F-PTFE	2	
2	Ball	C3604BD	1	PLTD
1	Body	C3771BE	1	PLTD
No	DESCRIPTION	MATERIALS	REQ'D	REMARKS

			APPR'D	H.F	TITLE	Threaded End Rc Valve DN: 15~25 A			
			CHK'D	K.Y		A type ball valve			
			DESIGN		MODEL	MACA-U-5YYF			
			DRAWN	P.O					
MARK	DATE	BY	DATE	'16-04-06	SCALE	NON	DWG No.	A-5YYF-MA1a-EN	
REVISIONS			 NIPPON VALVE CONTROLS, INC.						
MV-2370									