



Three piece mini butterfly valve

Z series



- Can be used at intermediate openings. Also suitable for proportional control.
- Easy to maintain. Ideal for incorporation into equipment.
- Low cost and long life.
- There is a specification in which no metal is exposed at the parts that come in contact with the liquid.

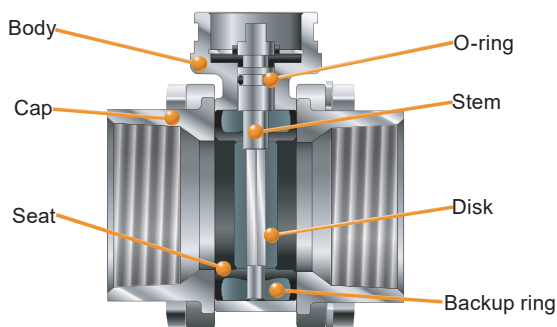
NIPPON VALVE CONTROLS, INC.

MINI BUTTERFLY VALVE

Z-SERIES FEATURE

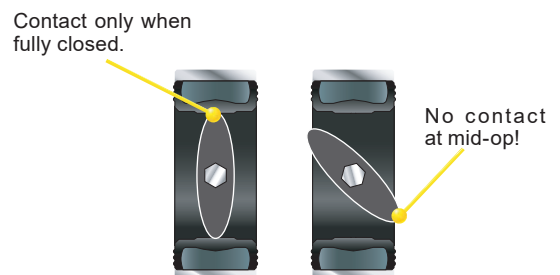
Compatible with various connection types.

The valve body and pipe connection cap can be divided into three pieces.
Threaded end type and various connection types are available.
Please contact us for special specifications.



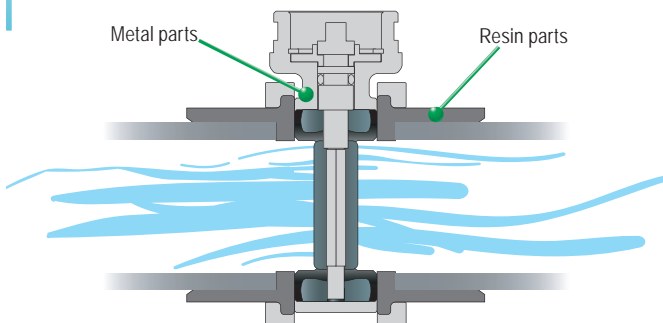
Ideal for use at intermediate openings.

Ideal for proportional control in intermediate degrees of opening.
Contact between disc and seat only when fully closed.
Proportional control with long-lasting closing performance.



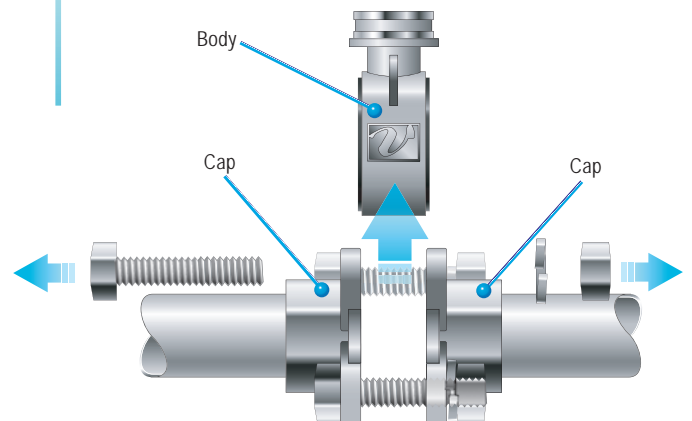
Can be used for a variety of fluids.

Disc is made of PPS resin and has a scale adhesion resistance comparable to PTFE.
Excellent corrosion resistance and long life.
Standard lineup of seat materials: EPDM, NBR and FKM.



Plumbing is a breeze! Three-piece construction for easy maintenance.

For maintenance, only the main body part can be replaced while leaving the cap on the pipe.
Just loosen the four bolts and the main body can be removed.

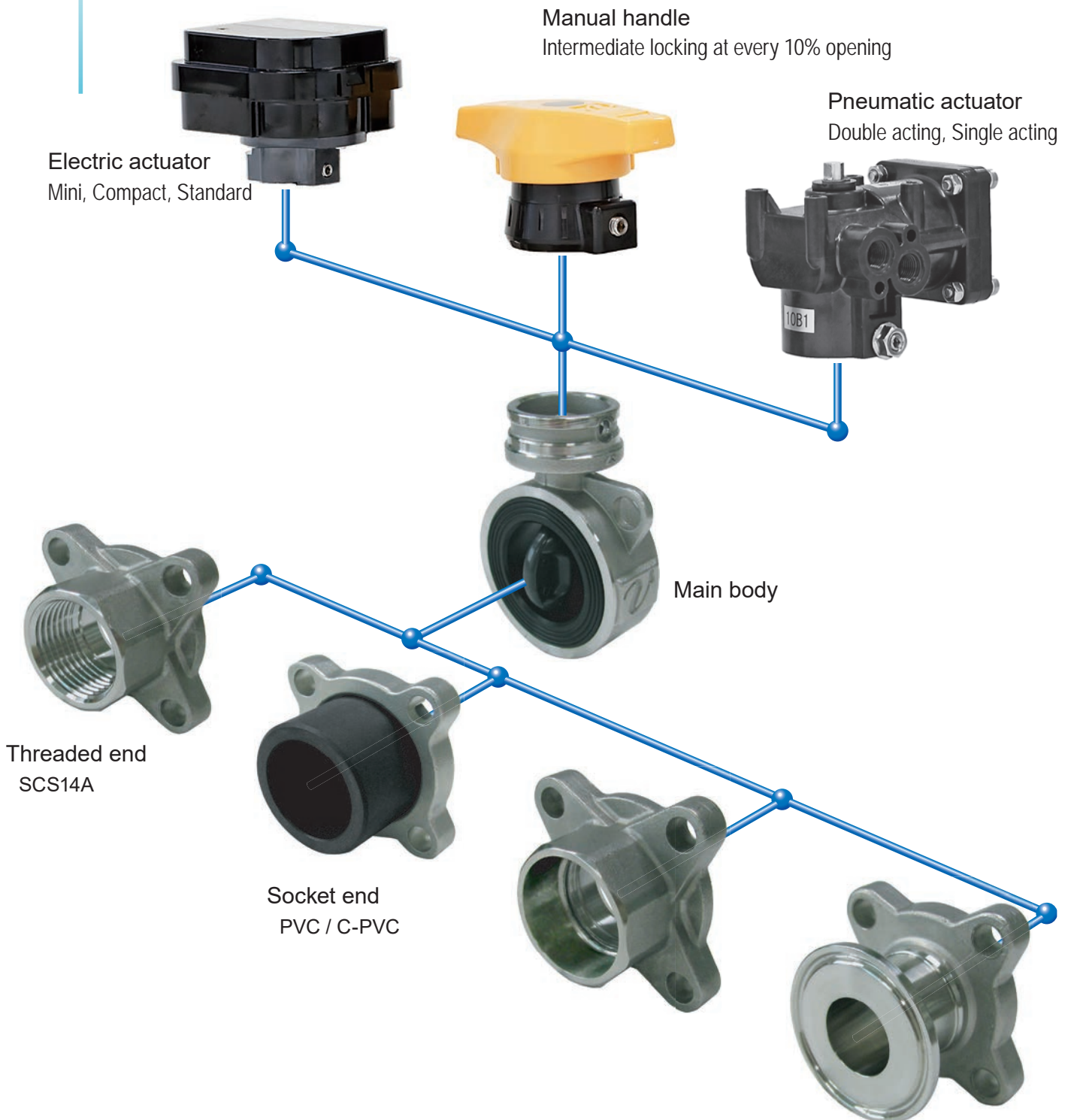


Z-SERIES VARIATION



Large selection of actuators.

As a comprehensive manufacturer of automatic valves, we have a wide range of both electrically and pneumatically operated actuators of our own making. Unique manual handles with a medium opening retention function are also available.



For other connection methods, please contact us.

Z-SERIES SPECIFICATION

Specification

Type	Rubber seat butterfly valve						
① Body material	① SCS13A						
② Connection	② S Threaded end Rc (JIS B 0203)			② Z Socket end			
③ Cap material	③ U SCS14A		③ P PVC		③ H C-PVC		
④ Seat material	④ E EPDM / ④ B NBR / ④ V FKM						
Disk material	PPS						
Stem seal material	O-ring of the same material as the seat.						
	15A	20A	25A	32A	40A	50A	
Cv value	7	19	28	28	86	86	
Face to face L (mm)	Threaded end	59	66	78	87	95	109
	Socket end	65	75	91	96	126	138

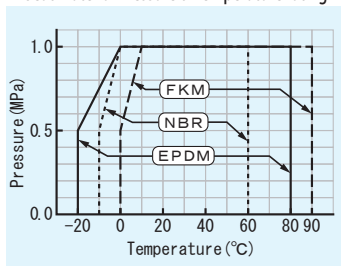
Fluid and seat material

EPDM	Water, Seawater, etc.
NBR	Oils, Gas, etc.
FKM	Chemicals, etc.

EPDM cannot be used for oils and fats.

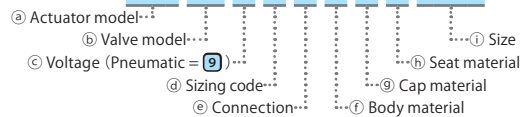
When using in seawater, select the combination of the cap made of PVC and seat made of EPDM.

Seat material Pressure & Temperature rating

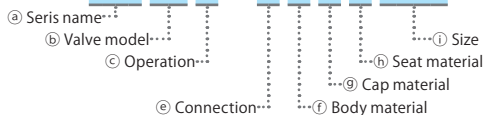


Product code

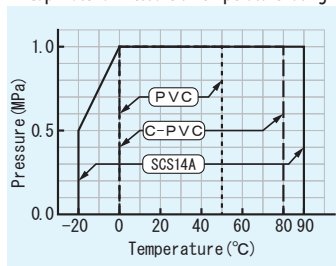
Motorized / Pneumatic : **CMX Z- 1 0 5 T U E -025**



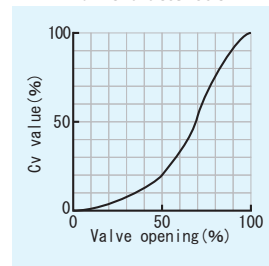
Manual : **MAC Z- Y - 5 T U E -025**



Cap material Pressure & Temperature rating



Flow characteristic



Range ability 30 : 1

Motorized

① Actuator model

② Size	③ String code	Mini						Compact				Standard
		ON-OFF		Proportional		ON-OFF		Proportional		PAX	AEX	PEX
		CA1	PM1	CD2	CM1	CM2	DM2	AM1	AM2			
-015	0	015	030	030	030	015	030	030	030	030	050	120
	2	—	—	—	—	—	—	—	—	—	—	—
-020	0	015	030	030	030	015	030	030	030	030	050	120
	2	—	—	—	—	—	—	—	—	—	—	—
-025	0	—	030	030	030	—	030	030	030	030	050	120
	2	—	—	—	—	070	—	070	—	—	—	—
-032	0	—	030	030	030	—	030	030	030	030	050	120
	2	—	—	—	—	070	—	070	—	—	—	—
-040	0	—	070	070	070	070	070	070	070	070	120	120
-050	0	—	070	070	070	070	070	070	070	070	120	120

Height H (mm)

CA1	PM1	CD2	CM1	CM2	CMX	DM2	DM0	AM1	AM2	AH1	PAX	AEX	PEX
100	106	97	97	97	97	129	156	129	156	156	192	192	192
103	109	100	100	100	100	132	159	132	159	159	195	195	195
113	104	104	—	104	137	164	137	164	164	200	—	—	—
113	104	104	—	104	137	164	137	164	164	200	—	—	—
160	137	137	137	176	176	149	176	191	212	—	—	—	—
160	137	137	137	176	176	149	176	191	212	—	—	—	—

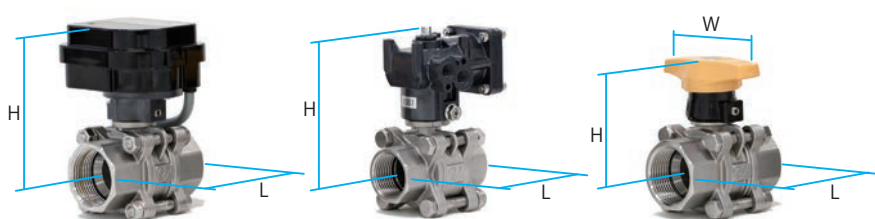
④ Voltage	⑤	CD2	CA1	CMX	DM2	AM1	AEX	PEX
		PM1	CM□	DM0	AH1	PAX	PEX	
12V DC	4	○						
24V DC	0	○		○	○			○
100V DC	1		○	○		○	○	
200V DC	2		○	○		○	○	
100 to 240V AC	6							○

○ Standard ○ Corresponding some models.

Pneumatic

① Actuator model

② Size	③ String code	PPS body		Aluminum body		Height H (mm)		
		Double	Single	Double	Single	PND	PSO	TAD
		PND	PSO	TAD	TAO	PSC	PSC	TAO
-015	0	03S	03S	040	040	95	95	140
-020	0	03S	03S	040	040	98	98	143
-025	0	03S	03D	040	040	102	111	147
-032	0	03S	03D	040	040	102	111	147
-040	0	03D	04D	040	040	123	140	160
-050	0	03D	04D	040	040	123	140	160



Motorized model

The photo is CM□-030

Pneumatic model

The photo is PND-03S

Manual model

Manual

① Series name

② Size	③ Operation	MAC	
		Dimension (mm)	
		Height H	Handle length W
-015	Y	71	28
-020	Y	74	28
-025	Y	78	40
-032	Y	78	40
-040	Y	91	40
-050	Y	91	40

NIPPON VALVE CONTROLS, INC.

1-21-19, MEIEKIMINAMI, NAKAMURA-KU

NAGOYA 450-0003 JAPAN

TEL : +81-52-582-6435

FAX : +81-52-582-6439

https://www.valco.co.jp

