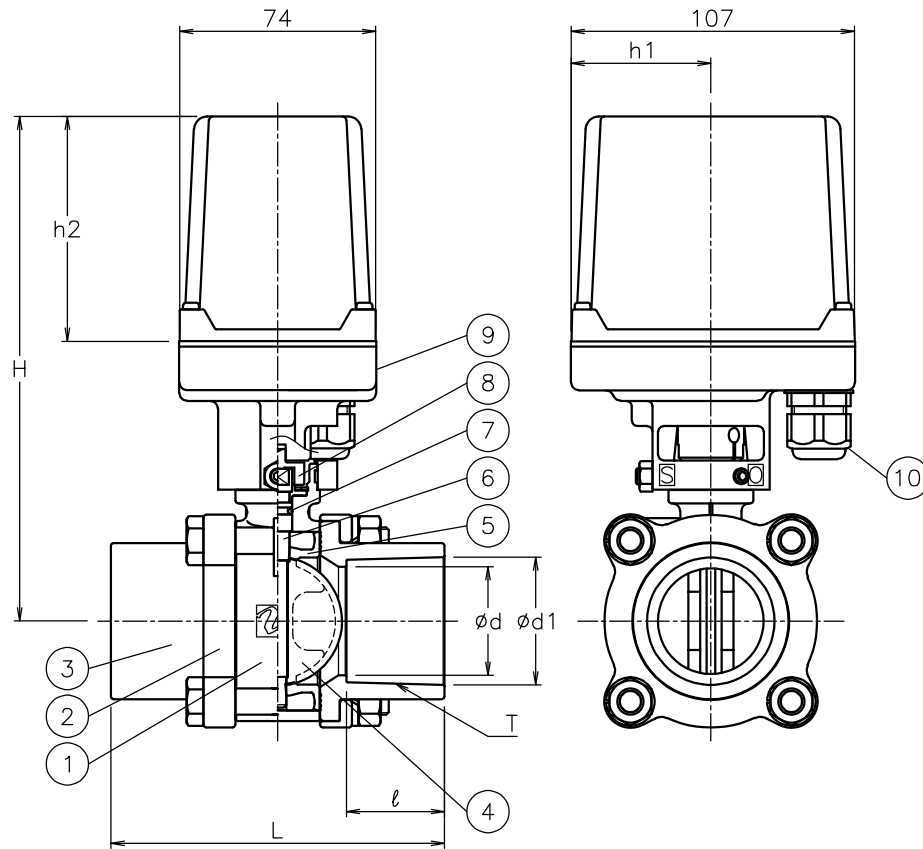


| 呼び径  | d  | d1   | ℓ  | Tテーパ° | L   | h1 | AH1, DMO |     |     |     | DM2 |     |     | Cv値 | 操作機型式   |         |         | ランク |
|------|----|------|----|-------|-----|----|----------|-----|-----|-----|-----|-----|-----|-----|---------|---------|---------|-----|
|      |    |      |    |       |     |    | h2       | H   | kg  |     | h2  | H   | kg  |     | AH1-030 | DMO-030 | DM2-030 |     |
|      |    |      |    |       |     |    |          |     | AH1 | DMO |     |     |     |     |         |         |         |     |
| 15 A | 17 | 22.2 | 20 | 1/34  | 65  | 36 | 85       | 156 | 1.5 | 1.7 | 58  | 129 | 1.3 | 7   | AH1-030 | DMO-030 | DM2-030 | 0   |
|      |    |      |    |       |     |    |          |     | 1.7 | 1.7 | 85  | 156 | 1.7 |     | AH1-070 | DMO-070 | DM2-070 | 2   |
| 20 A | 21 | 26.2 | 24 | 1/34  | 75  | 36 | 85       | 159 | 1.6 | 1.8 | 58  | 132 | 1.4 | 19  | AH1-030 | DMO-030 | DM2-030 | 0   |
|      |    |      |    |       |     |    |          |     | 1.8 | 1.8 | 85  | 159 | 1.8 |     | AH1-070 | DMO-070 | DM2-070 | 2   |
| 25 A | 28 | 32.2 | 28 | 1/34  | 91  | 36 | 85       | 164 | 1.7 | 1.9 | 58  | 137 | 1.5 | 28  | AH1-030 | DMO-030 | DM2-030 | 0   |
|      |    |      |    |       |     |    |          |     | 1.9 | 1.9 | 85  | 164 | 1.9 |     | AH1-070 | DMO-070 | DM2-070 | 2   |
| 32 A | 30 | 38.2 | 30 | 1/34  | 96  | 36 | 85       | 164 | 1.7 | 1.9 | 58  | 137 | 1.5 | 28  | AH1-030 | DMO-030 | DM2-030 | 0   |
|      |    |      |    |       |     |    |          |     | 1.9 | 1.9 | 85  | 164 | 1.9 |     | AH1-070 | DMO-070 | DM2-070 | 2   |
| 40 A | 41 | 48.3 | 37 | 1/37  | 126 | 36 | 85       | 176 | 2.5 | 2.5 | 85  | 176 | 2.5 | 86  | AH1-070 | DMO-070 | DM2-070 | 0   |
|      |    |      |    |       |     | 53 | 85       | 190 | 2.9 | 2.7 | 85  | 190 | 2.7 |     | AH1-180 | DMO-180 | DM2-180 | 2   |
| 50 A | 48 | 60.3 | 42 | 1/37  | 138 | 36 | 85       | 176 | 2.6 | 2.6 | 85  | 176 | 2.6 | 86  | AH1-070 | DMO-070 | DM2-070 | 0   |
|      |    |      |    |       |     | 53 | 85       | 190 | 3   | 2.8 | 85  | 190 | 2.8 |     | AH1-180 | DMO-180 | DM2-180 | 2   |



NOTE

(a) ケーブルグランドの適合ケーブル外径はφ5~10.5

| No | DESCRIPTION | MATERIALS     | REQ'D | REMARKS  |
|----|-------------|---------------|-------|----------|
| 10 | ケーブルグランド    | NYLON 6       | 1     | G3/8 (a) |
| 9  | 電動操作機       | ADC12/PC CASE | 1     |          |
| 8  | コネクタ        | SUS304/PPS樹脂  | 1     |          |
| 7  | Oリング        | NBR           | 1     |          |
| 6  | ステム         | SUS316        | 1     |          |
| 5  | シート         | NBR           | 1     |          |
| 4  | 弁体          | PPS樹脂         | 1     |          |
| 3  | ソケット        | PVC           | 2     |          |
| 2  | フランジホルダー    | SCS13A        | 2     |          |
| 1  | 本体          | SCS13A        | 1     |          |

|           |      |    |        |           |       |  |         |               |  |
|-----------|------|----|--------|-----------|-------|--|---------|---------------|--|
|           |      |    | APPR'D | H. F      | TITLE | ソケット形<br>Z型モータバタフライバルブ                       |         |               |  |
|           |      |    | CHK'D  | K. Y      |       |  |         |               |  |
|           |      |    | DESIGN |           | MODEL | AH1Z-***7TPB      DMOZ-0*7TPB<br>DM2Z-0*7TPB |         |               |  |
|           |      |    | DRAWN  | S. O      |       |  |         |               |  |
| MARK      | DATE | BY | DATE   | '21-04-14 | SCALE | NON  | DWG No. | Z-***7TPB-CM5 |  |
| REVISIONS |      |    |        |           |       |  |         |               |  |
| MV-2890   |      |    |        |           |       |  |         |               |  |